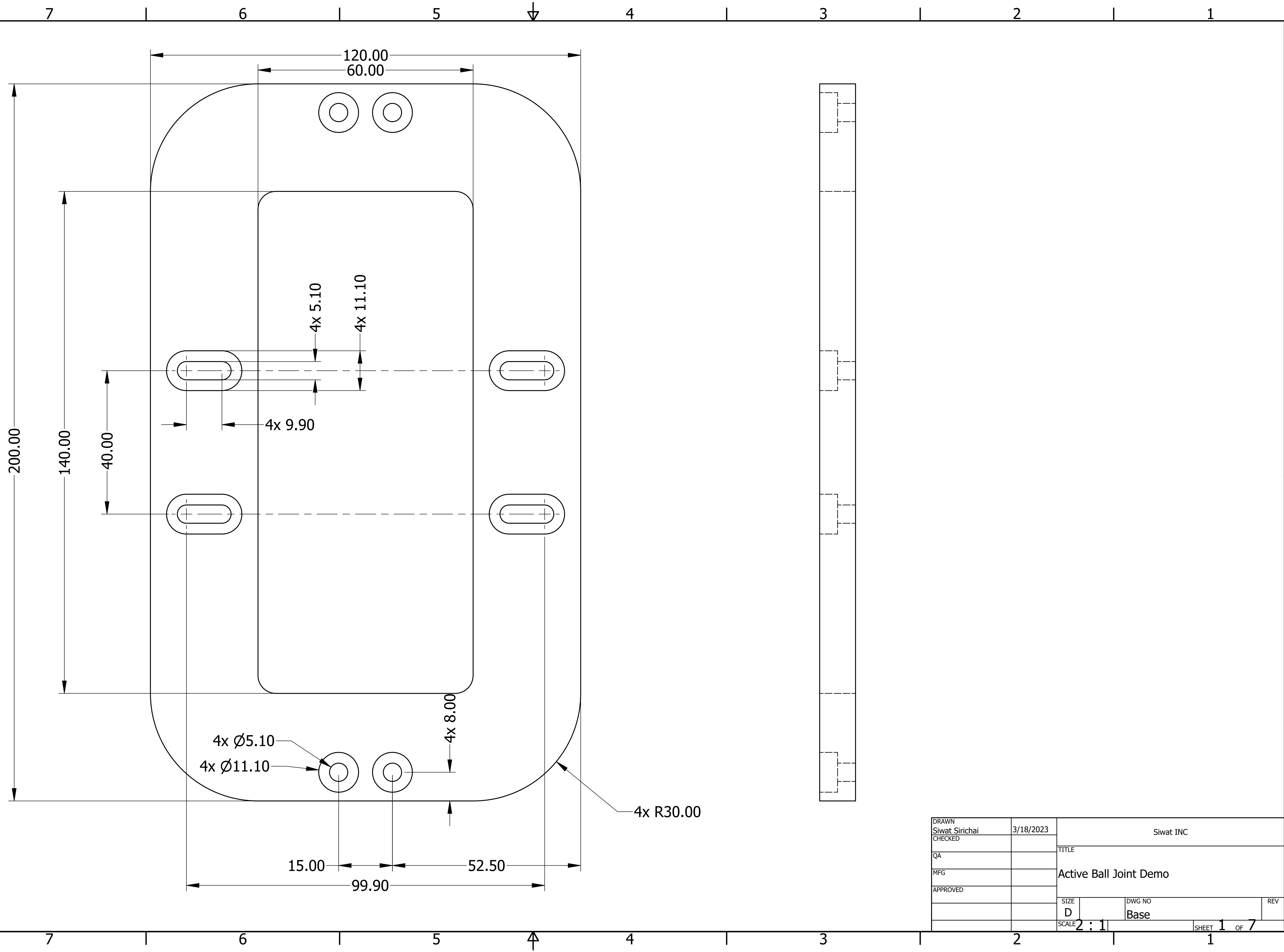
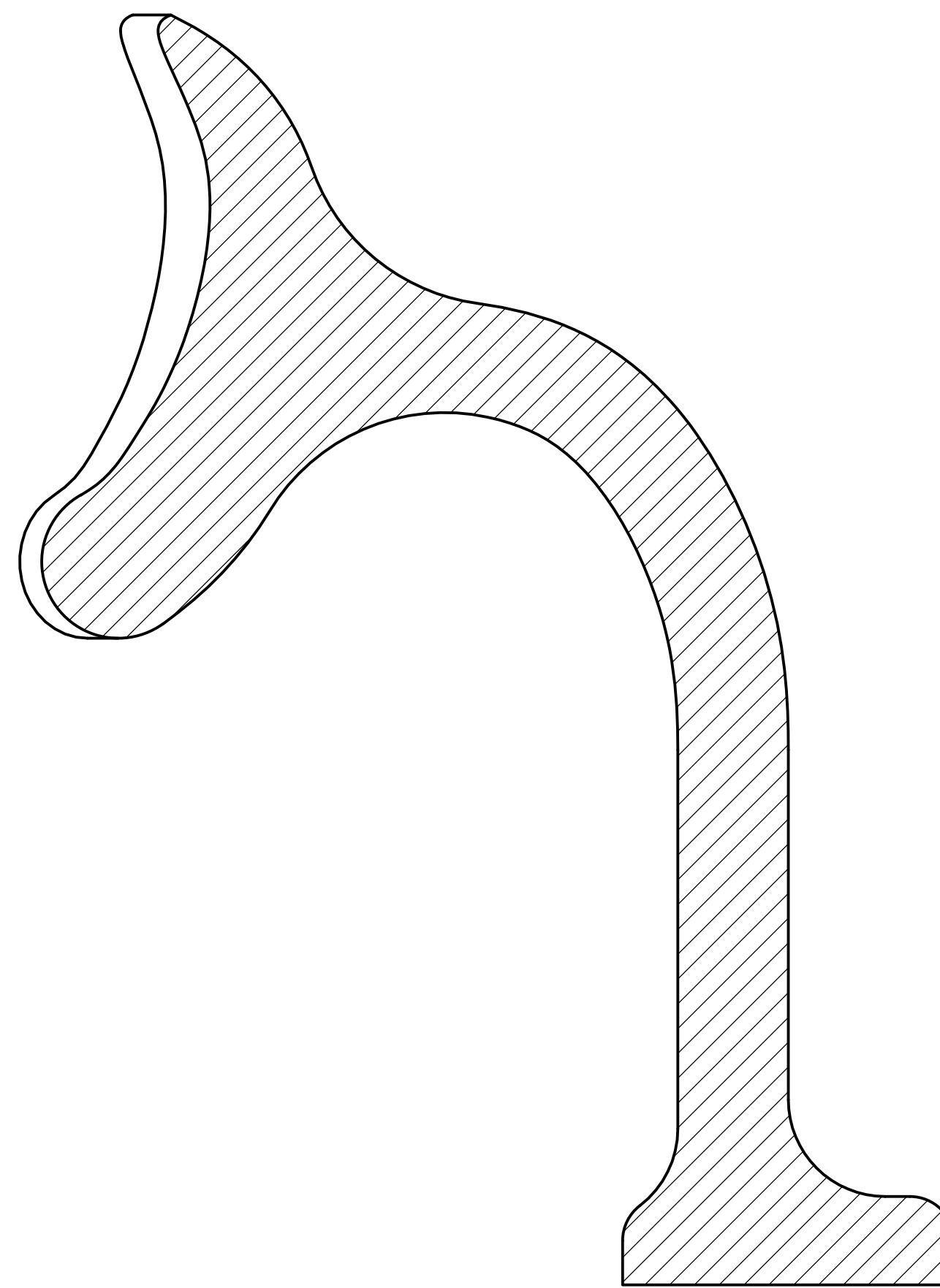
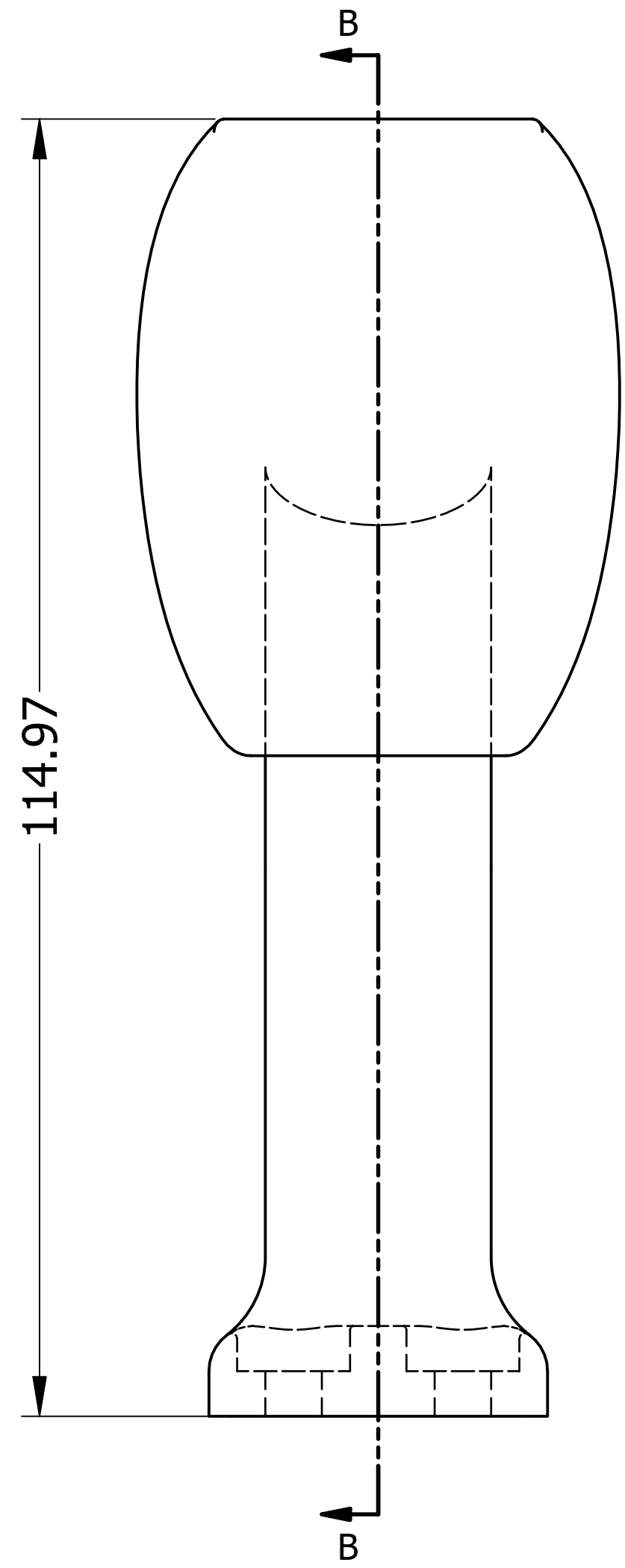


# Base

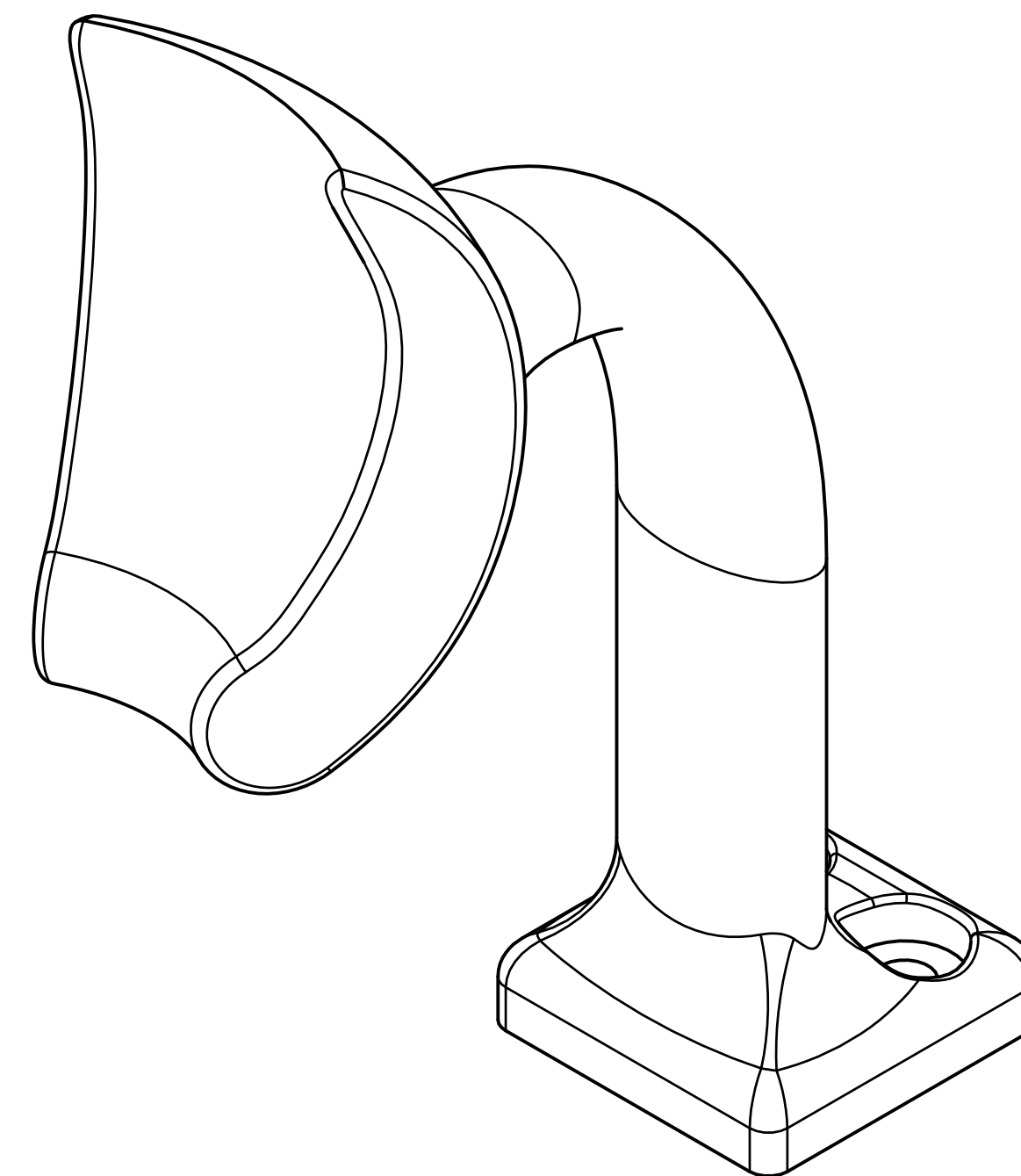
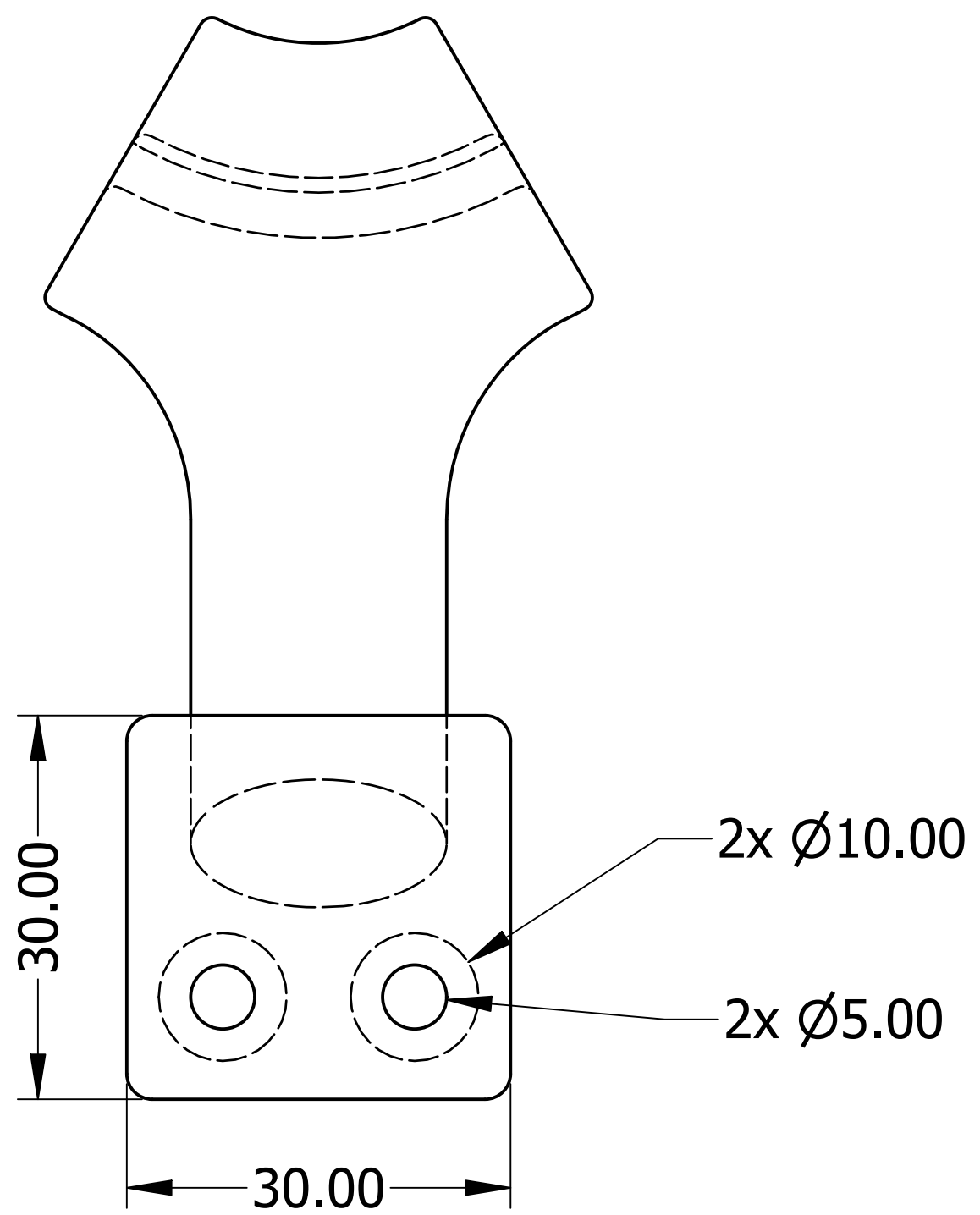


DRAWN	Siwat Sirichai	3/18/2023	Siwat INC		
CHECKED			TITLE		
QA			Active Ball Joint Demo		
MFG			SIZE		
APPROVED			D		REV
			DWG NO		
			Base		
			SCALE 2 : 1		
			SHEET 1 OF 7		

# Ball Grip

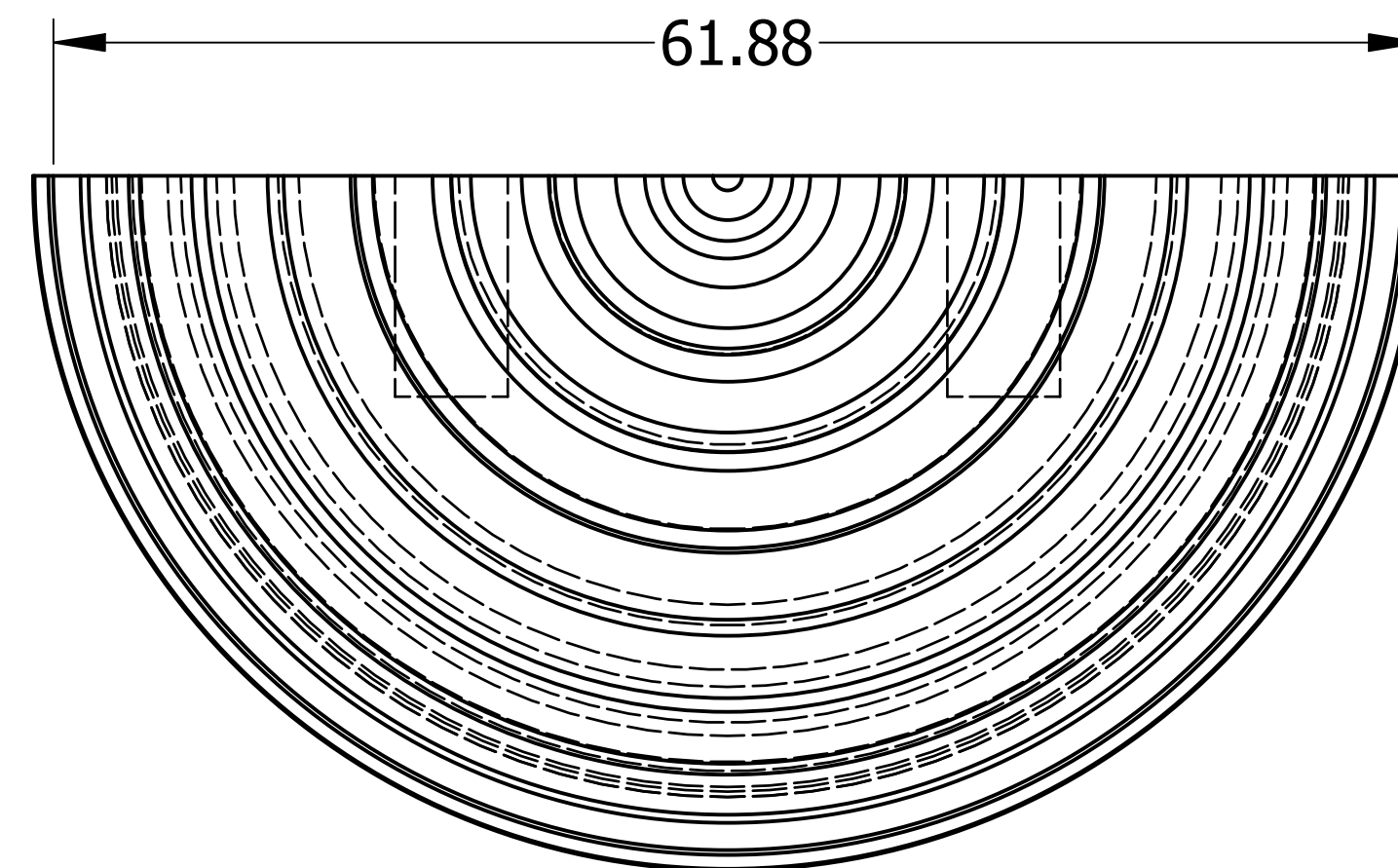
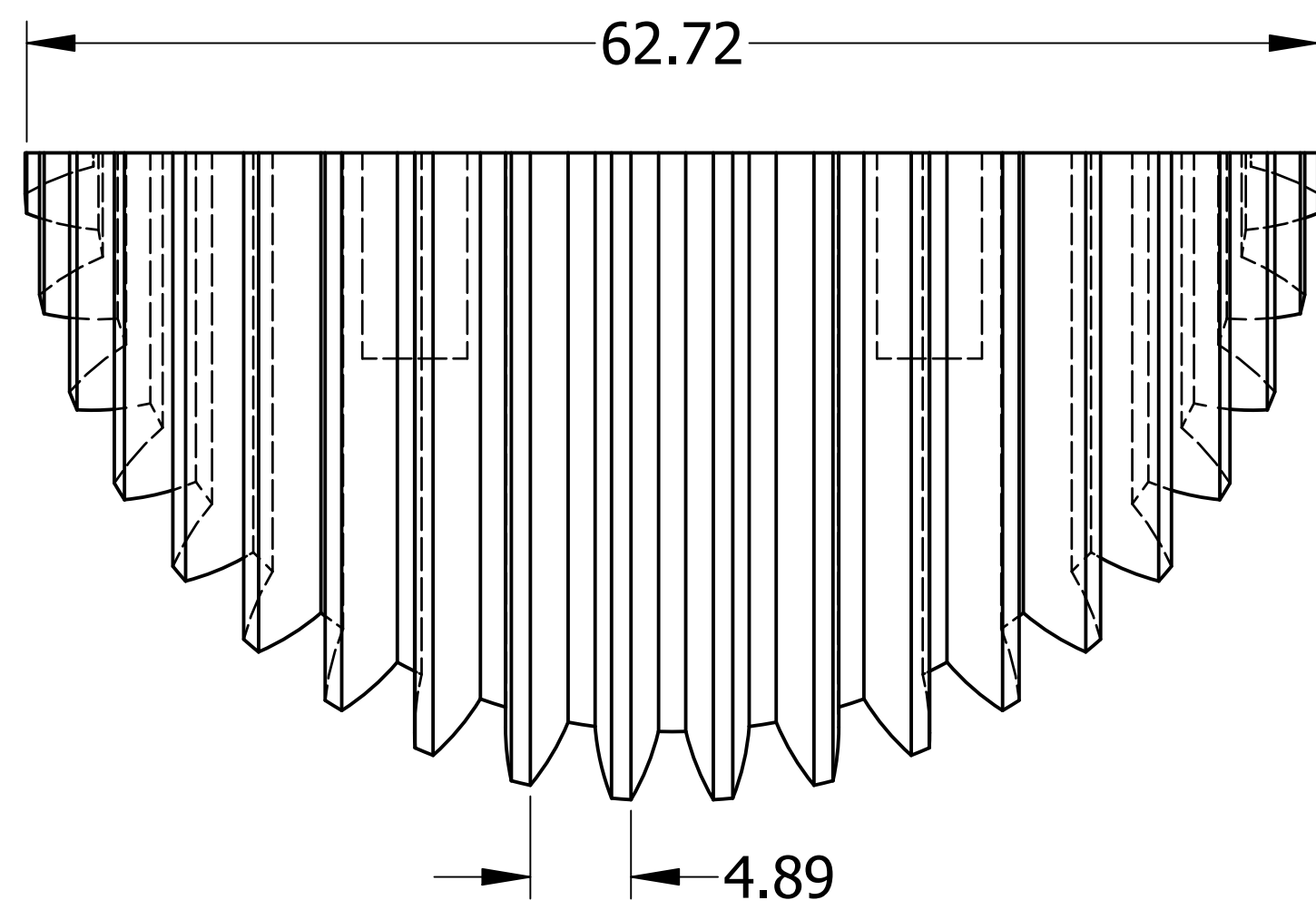
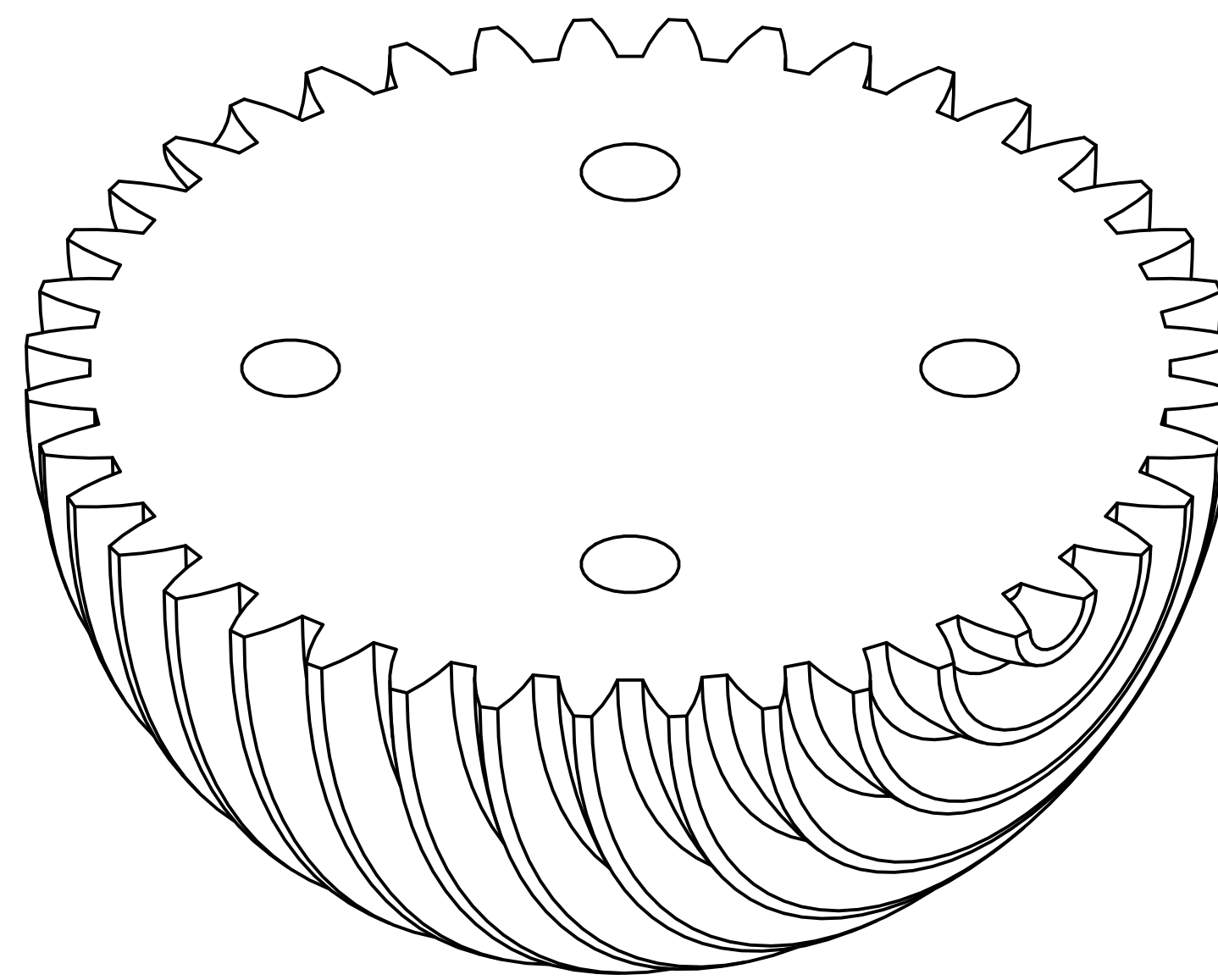
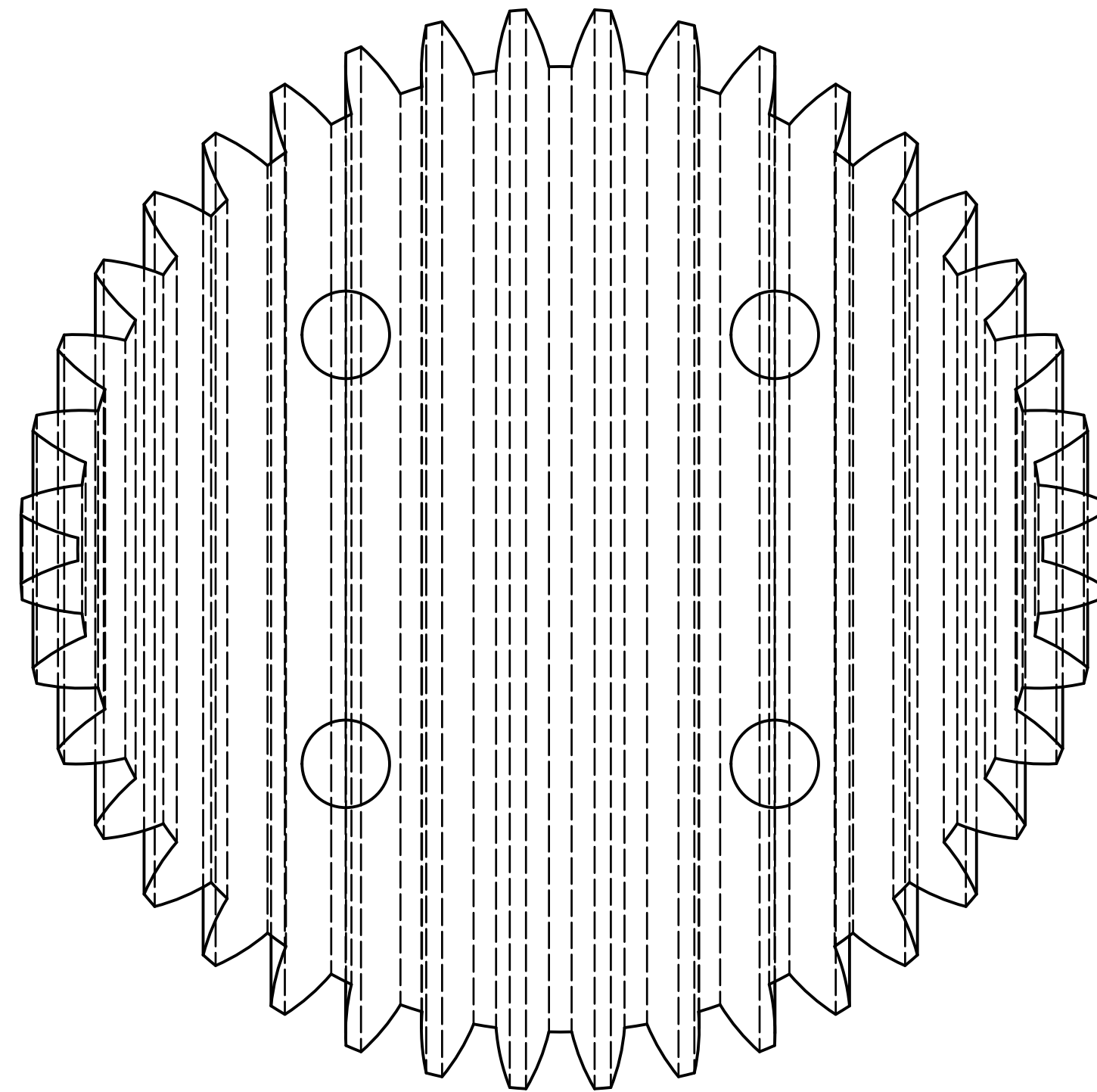


SECTION B-B  
SCALE 2 : 1



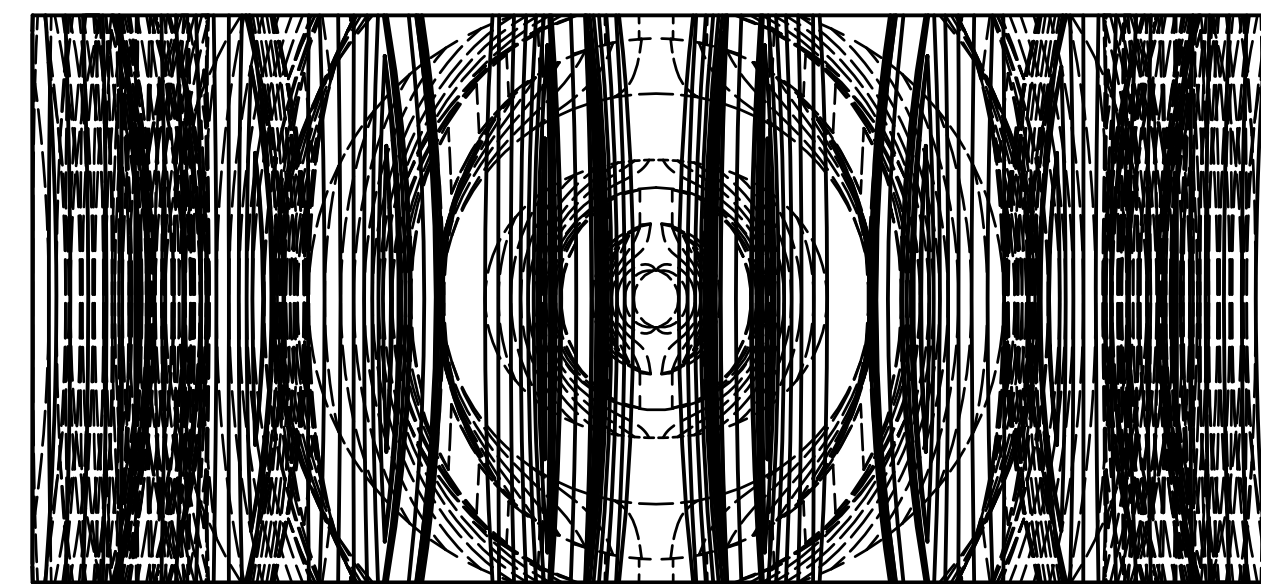
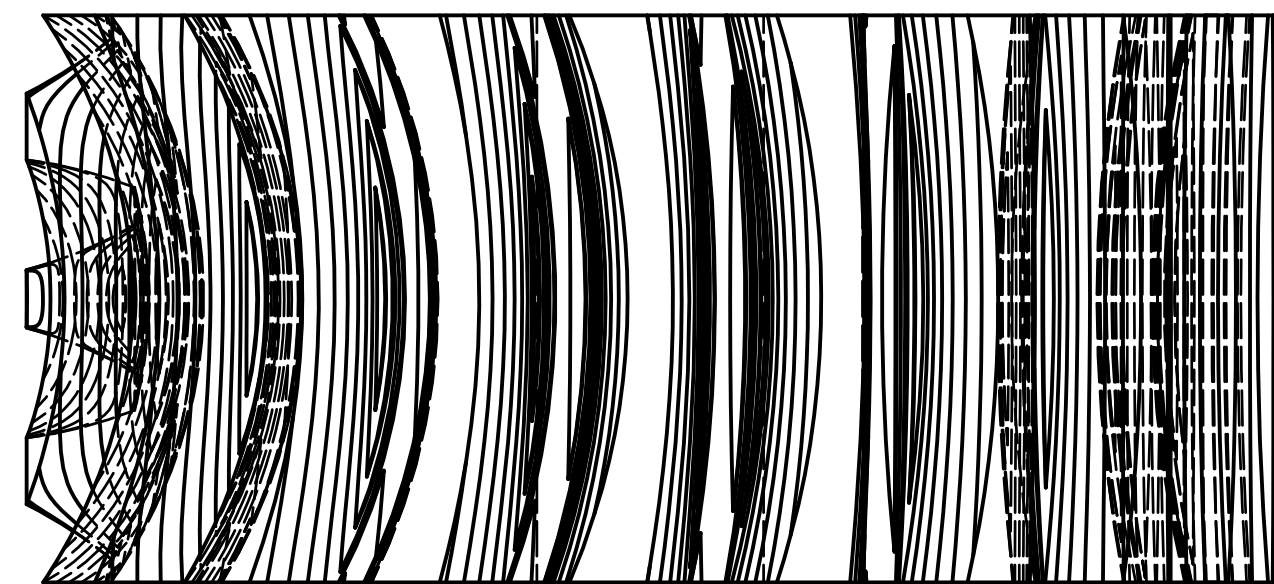
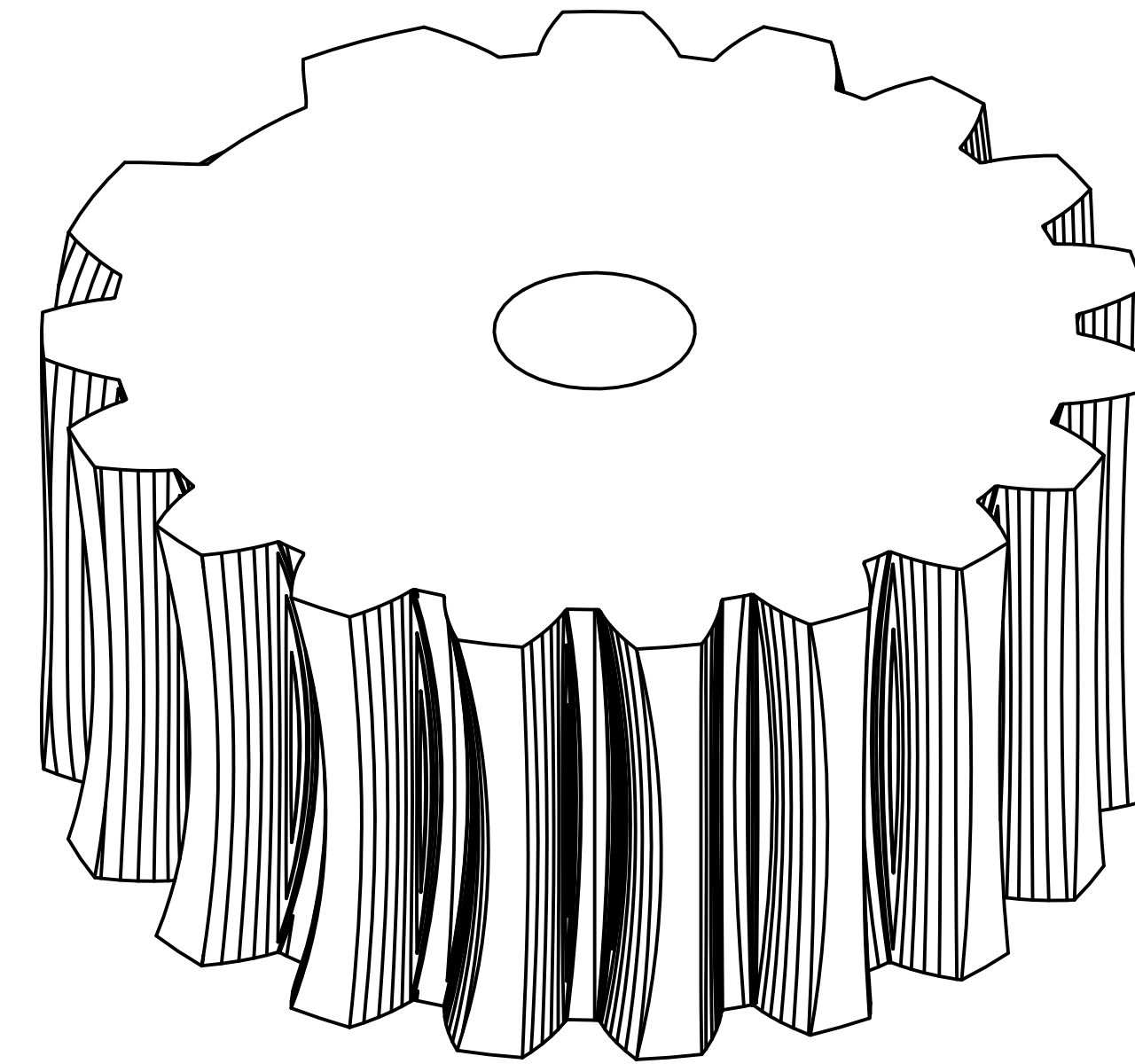
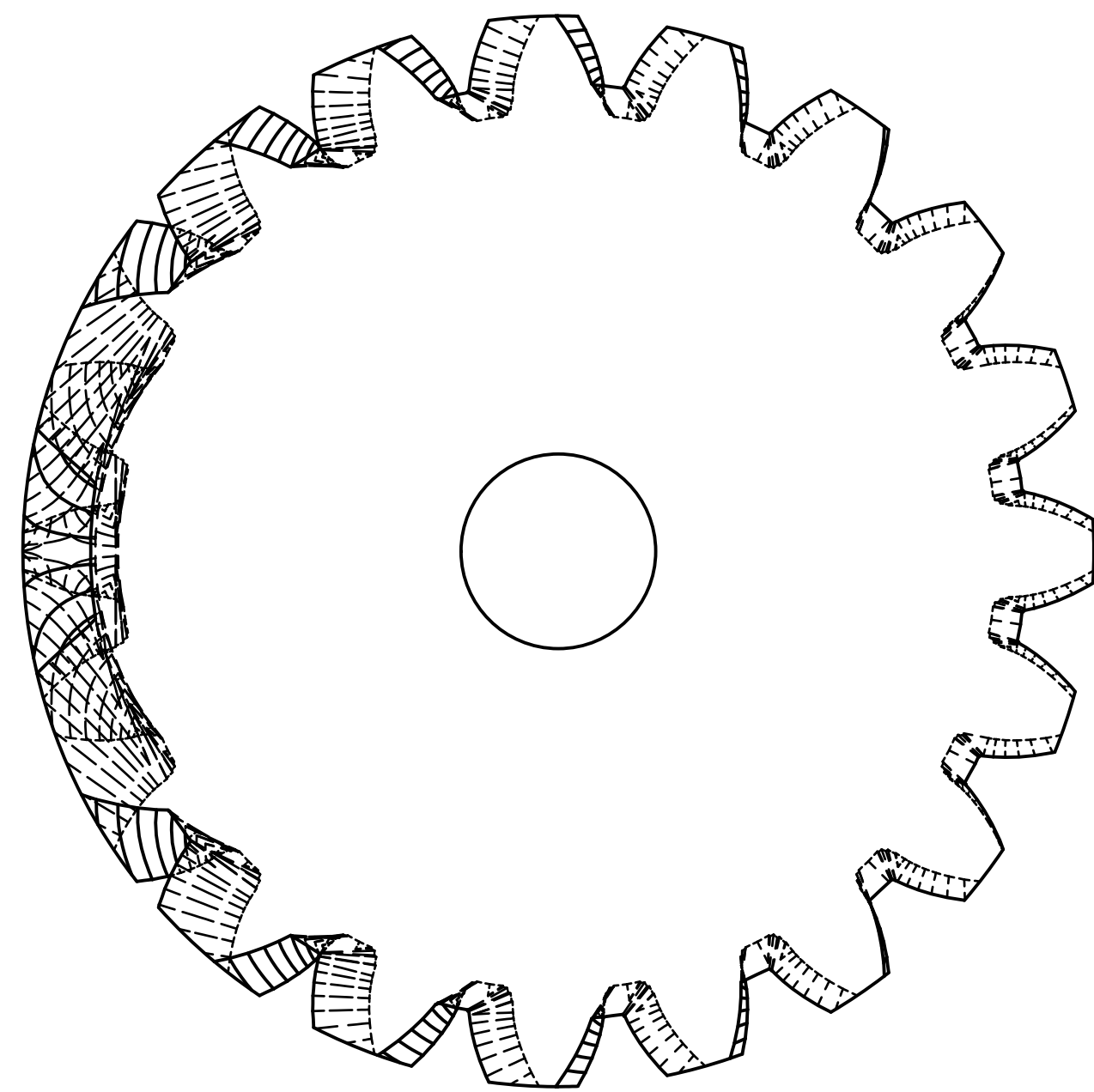
DRAWN Siwat Sirichai	3/18/2023	Siwat INC		
CHECKED		TITLE		
QA		Active Ball Joint Demo		
MFG		SIZE	DWG NO	REV
APPROVED		D	Base	
		SCALE 2 : 1	SHEET 2 OF 7	

# Single Axis Spherical Gear



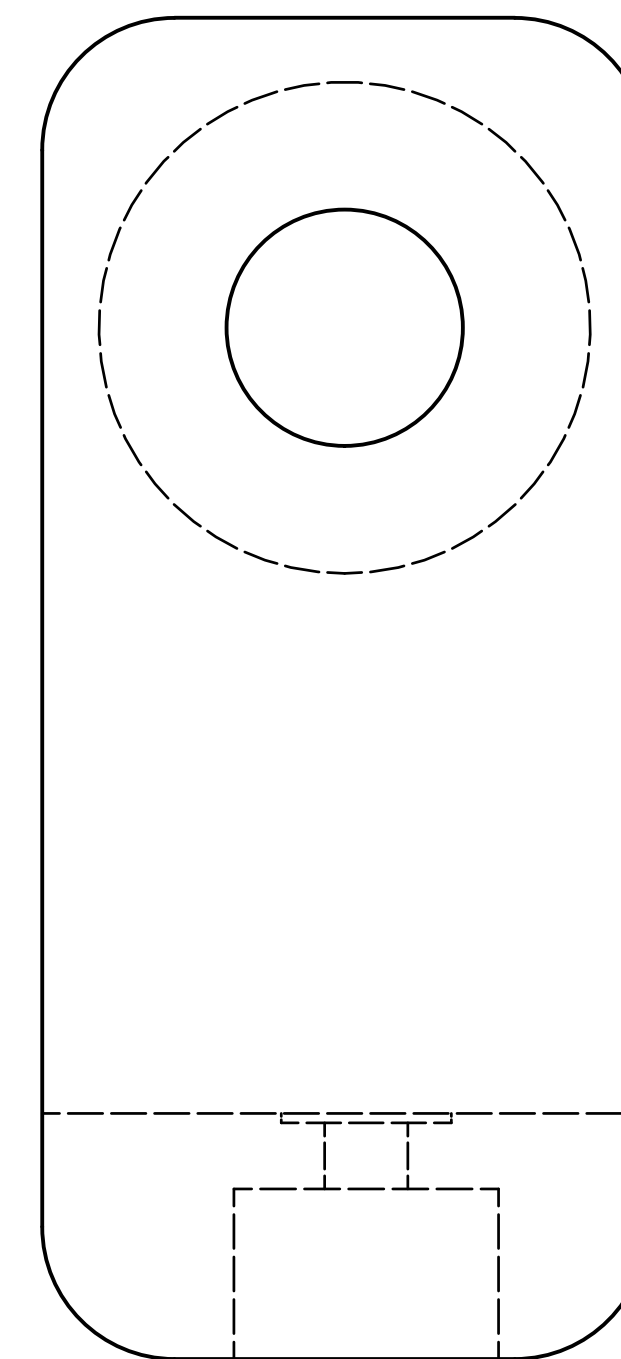
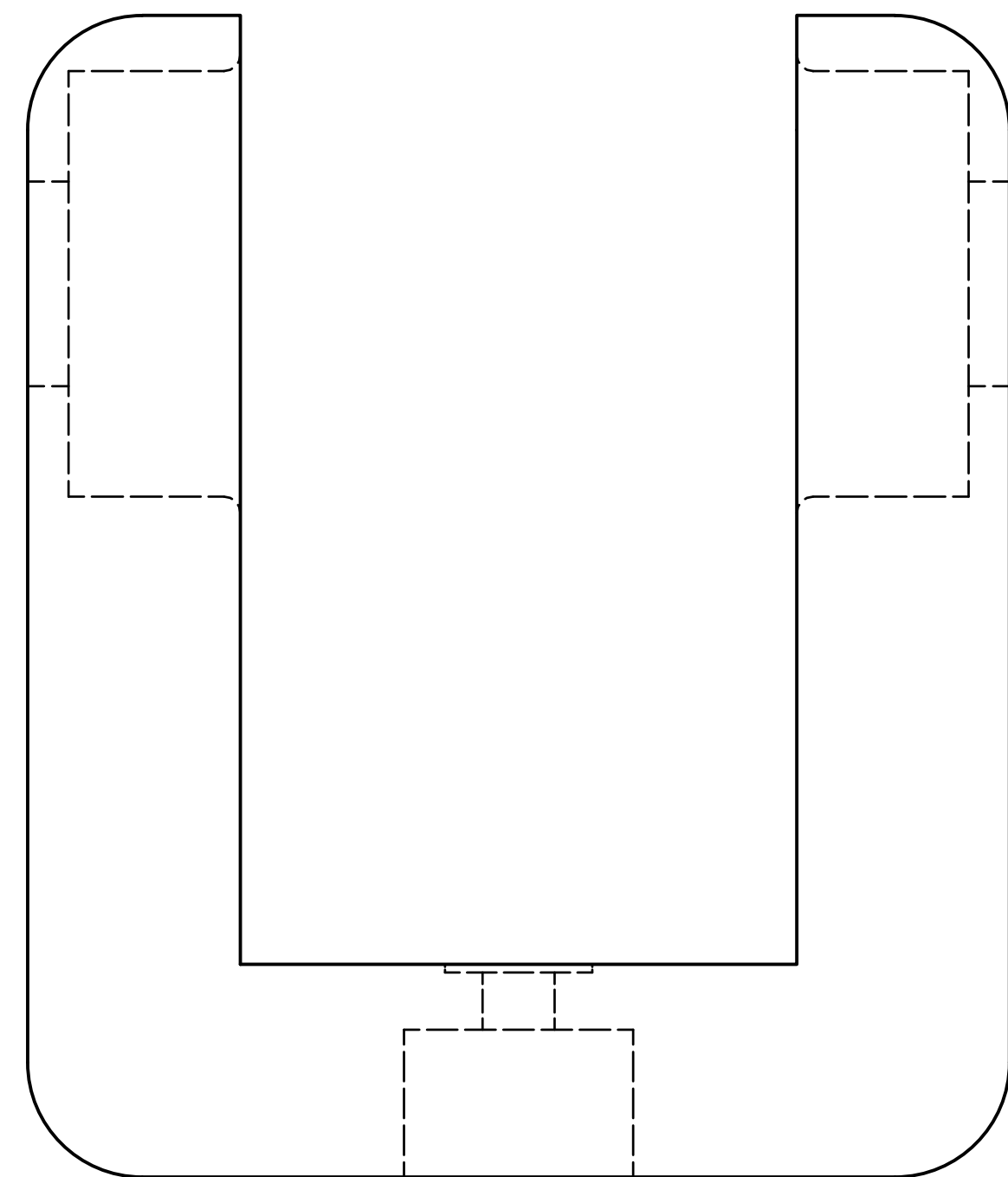
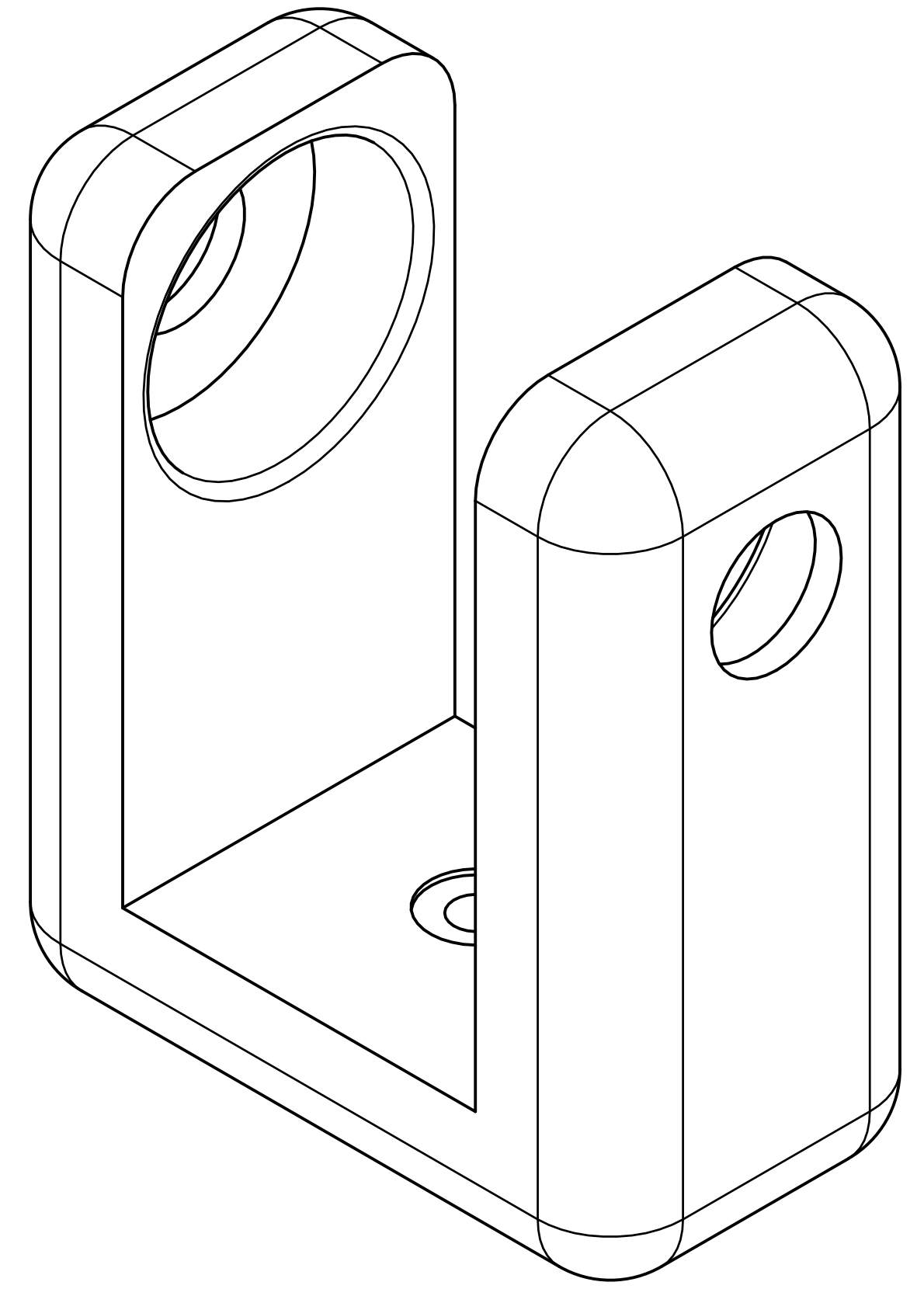
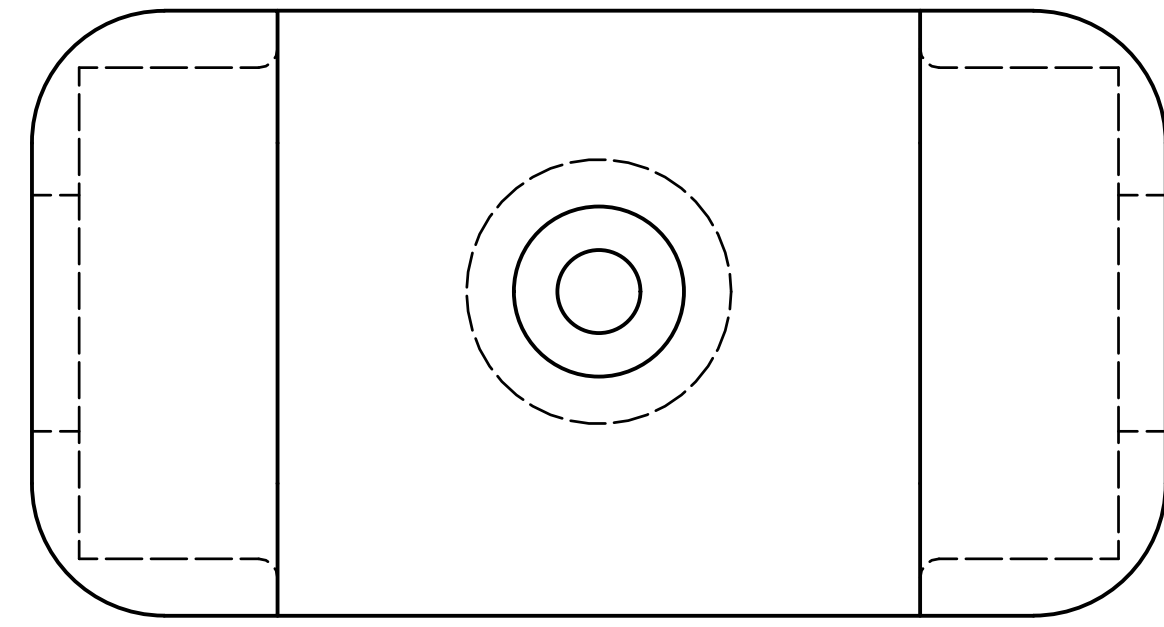
DRAWN Siwat Sirichai	3/18/2023	Siwat INC		
CHECKED		TITLE		
QA		Active Ball Joint Demo		
MFG		SIZE	DWG NO	REV
APPROVED		D	Base	
SCALE 3 : 1		SHEET 3 OF 7		

# Monopole Gear



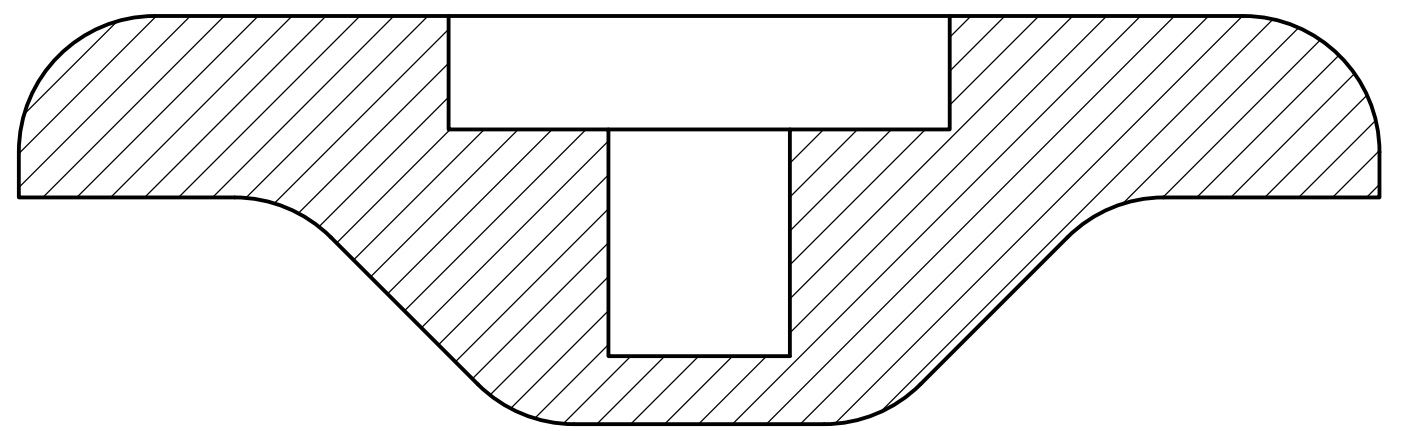
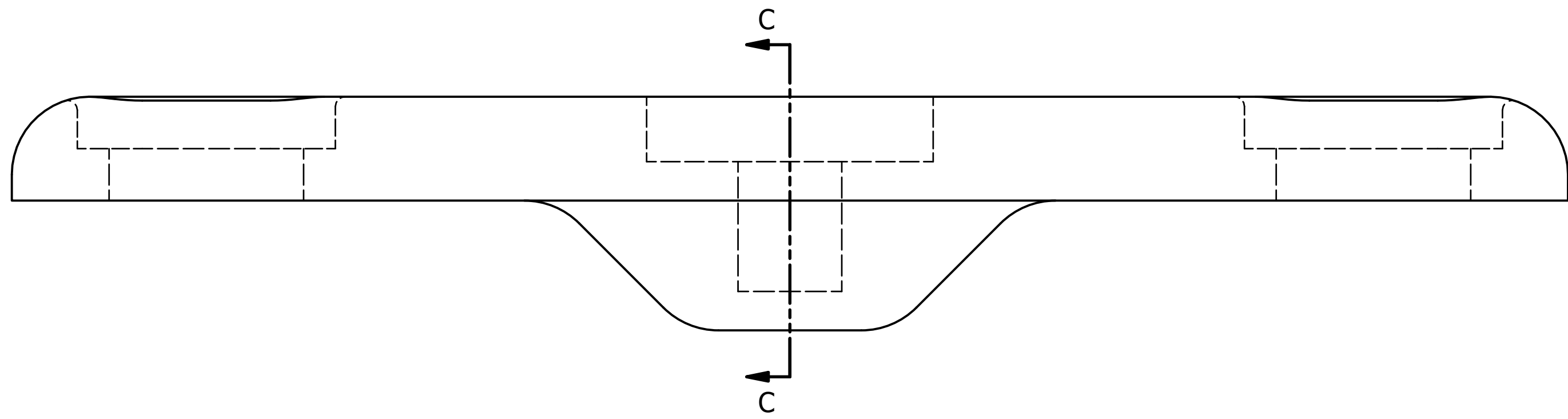
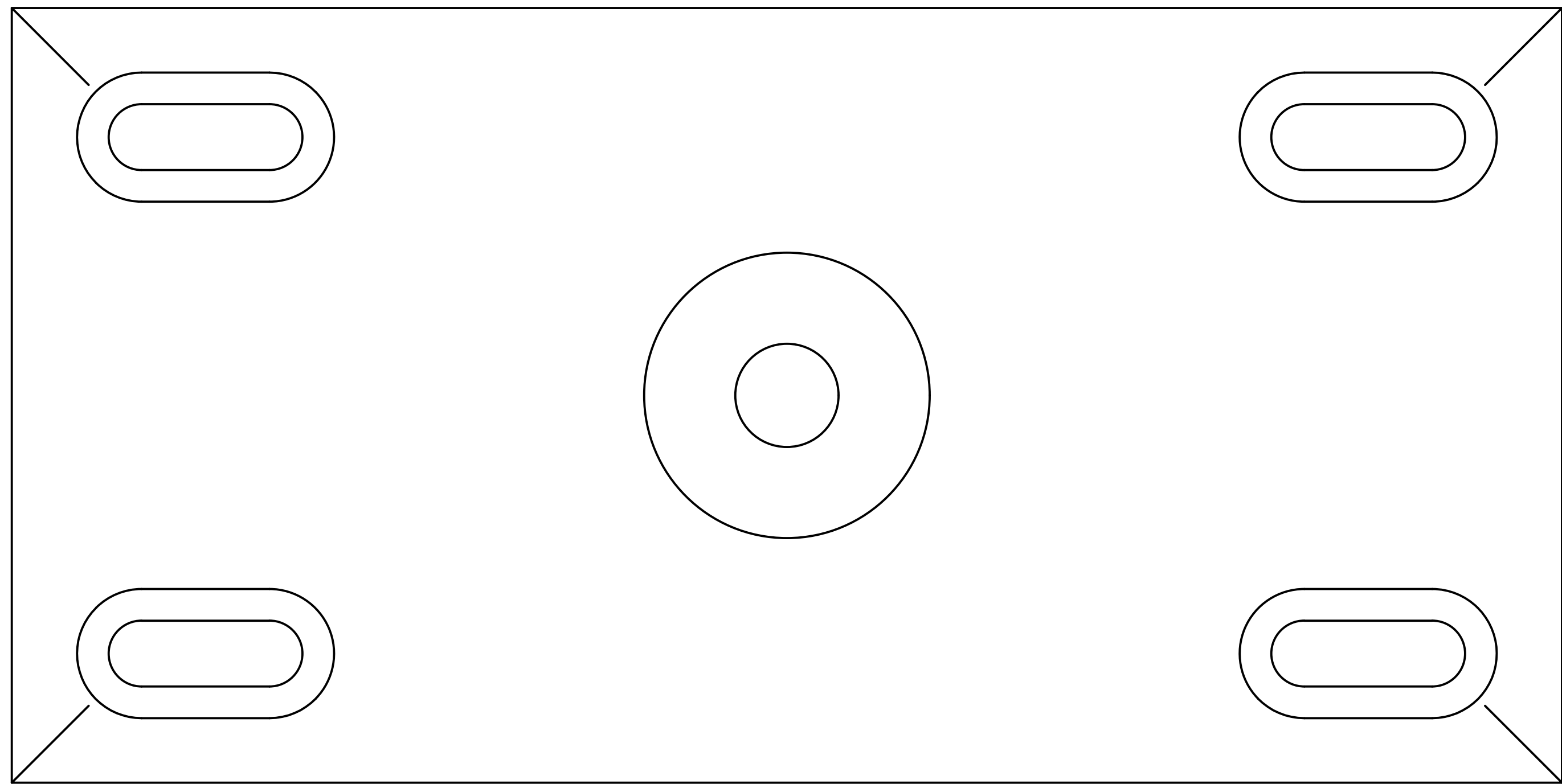
DRAWN Siwat Sirichai	3/18/2023	Siwat INC		
CHECKED		TITLE		
QA		Active Ball Joint Demo		
MFG				
APPROVED				
		SIZE D	DWG NO Base	REV
		SCALE 5 : 1	SHEET 4 OF 7	

# Monopole Gear Carrier



DRAWN	Siwat Sirichai	3/18/2023	Siwat INC		
CHECKED			TITLE		
QA			Active Ball Joint Demo		
MFG					
APPROVED					
			SIZE	DWG NO	REV
			D	Base	
			SCALE 5 : 1	SHEET 5 OF 7	

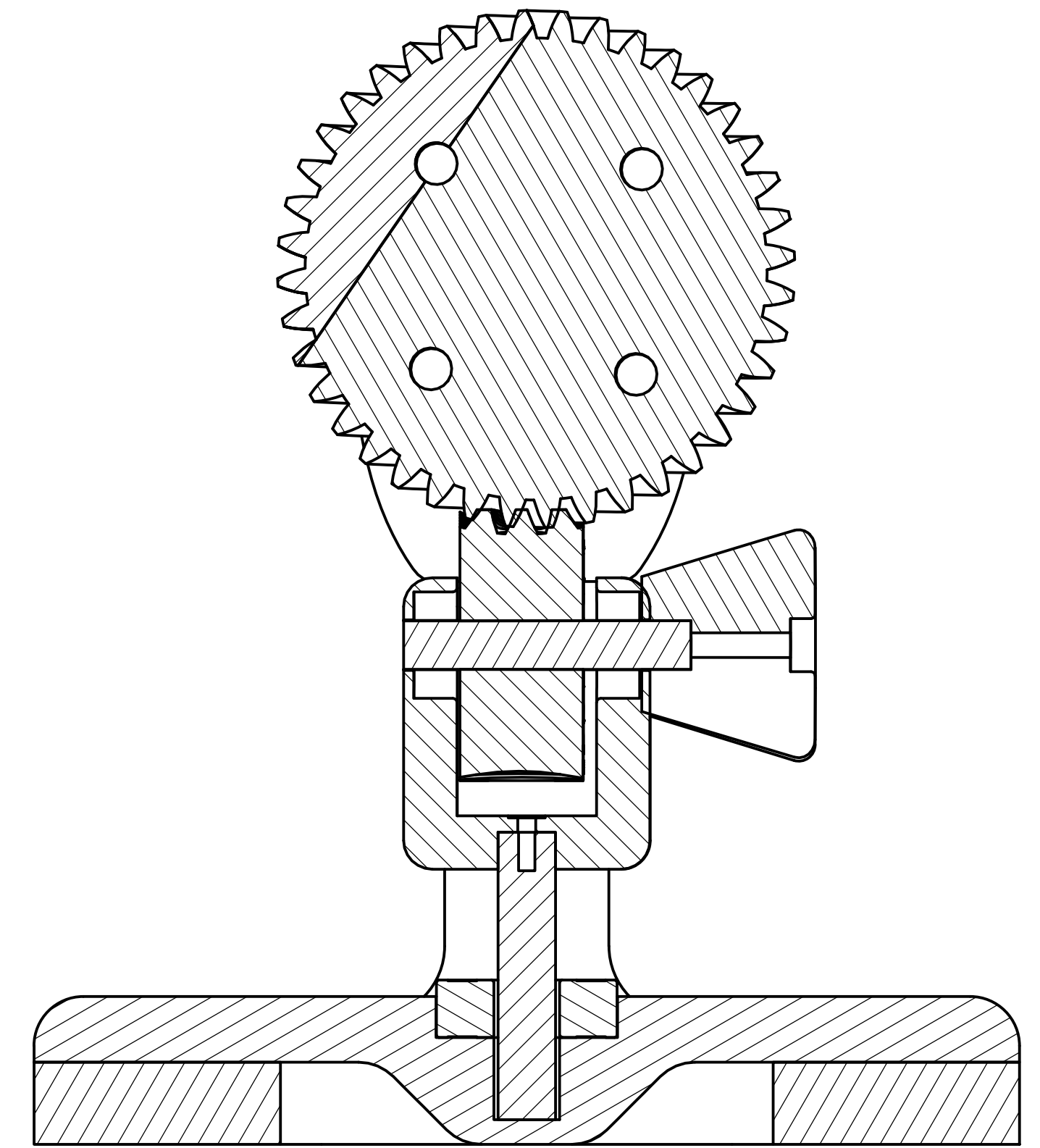
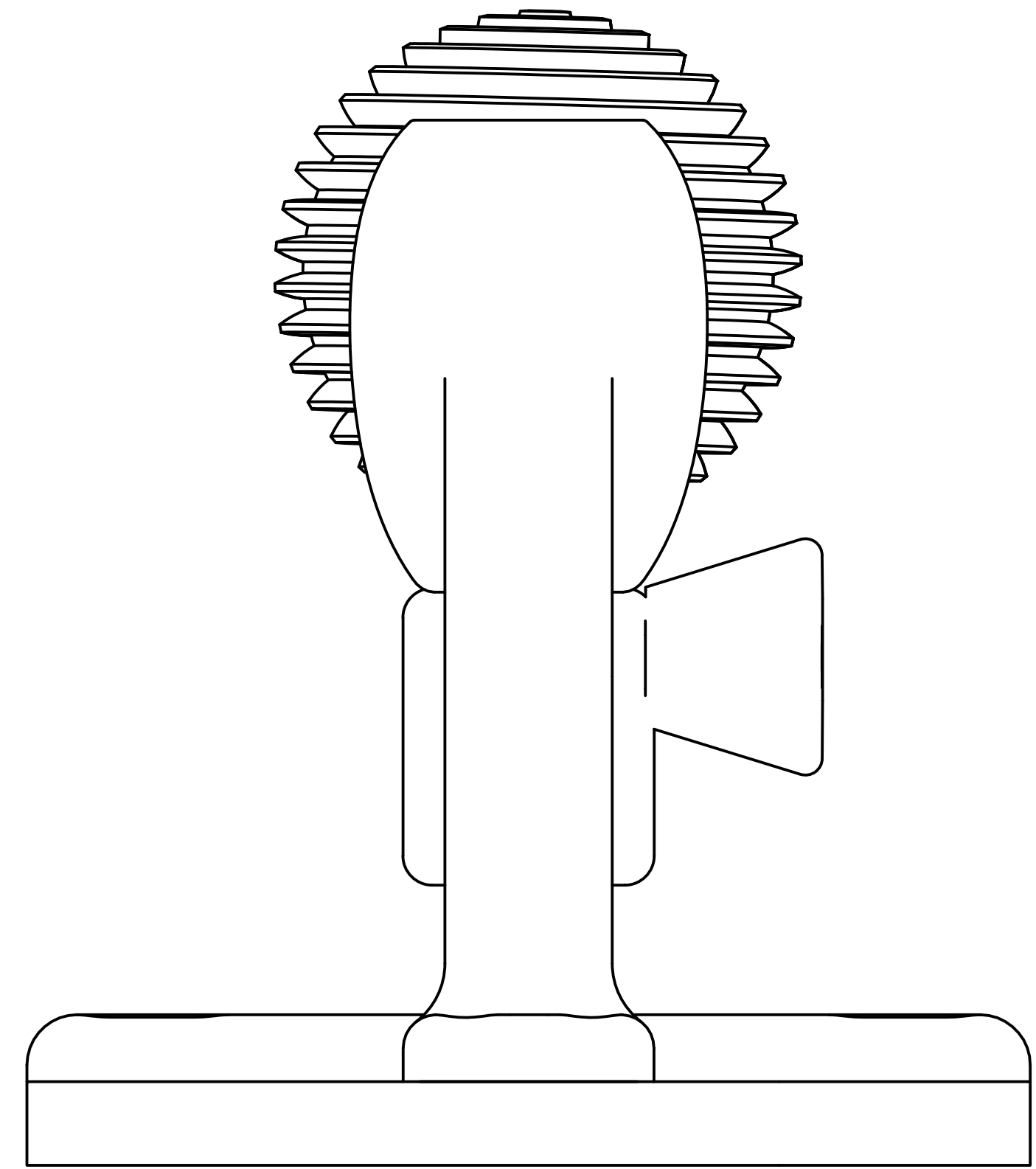
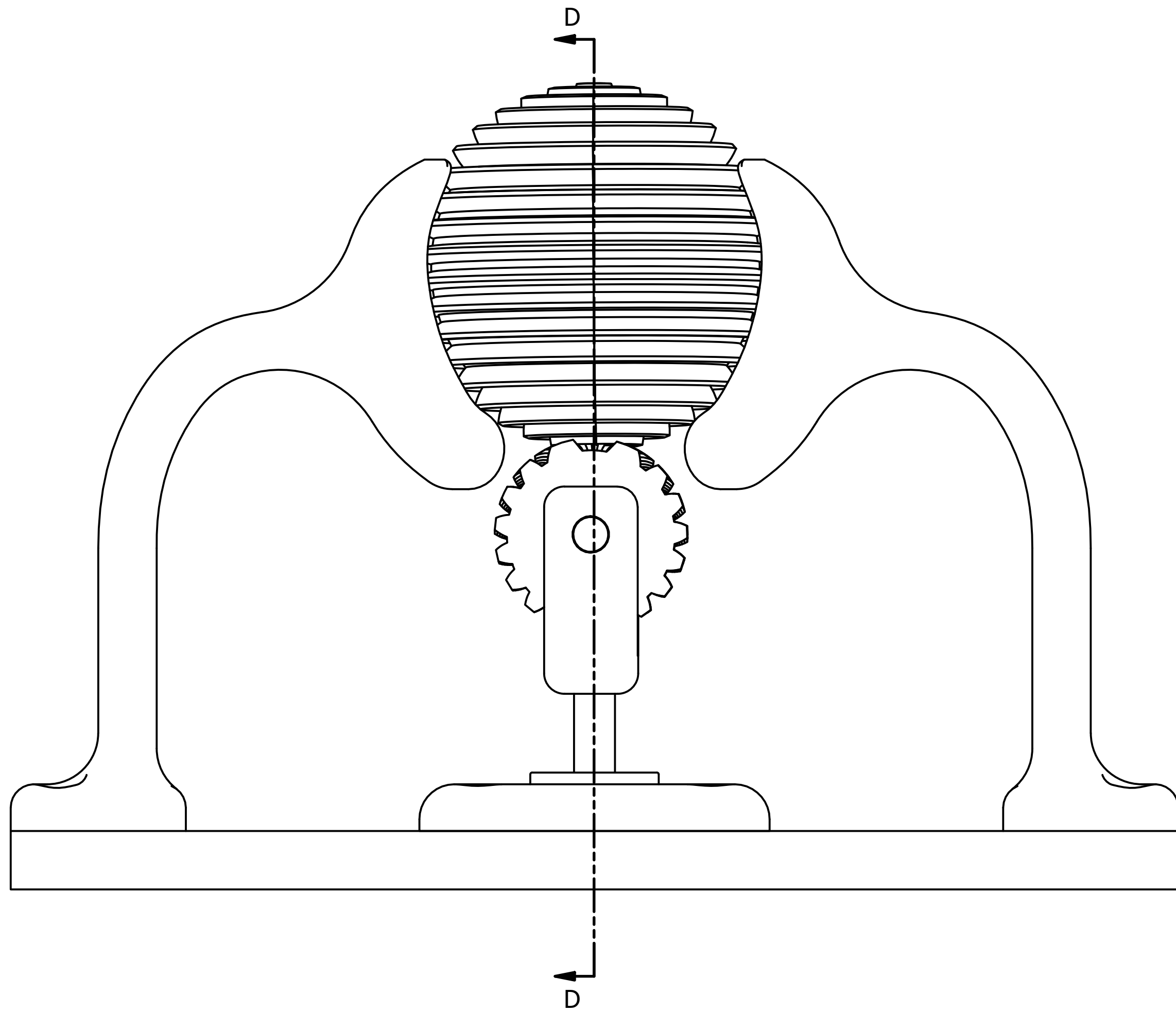
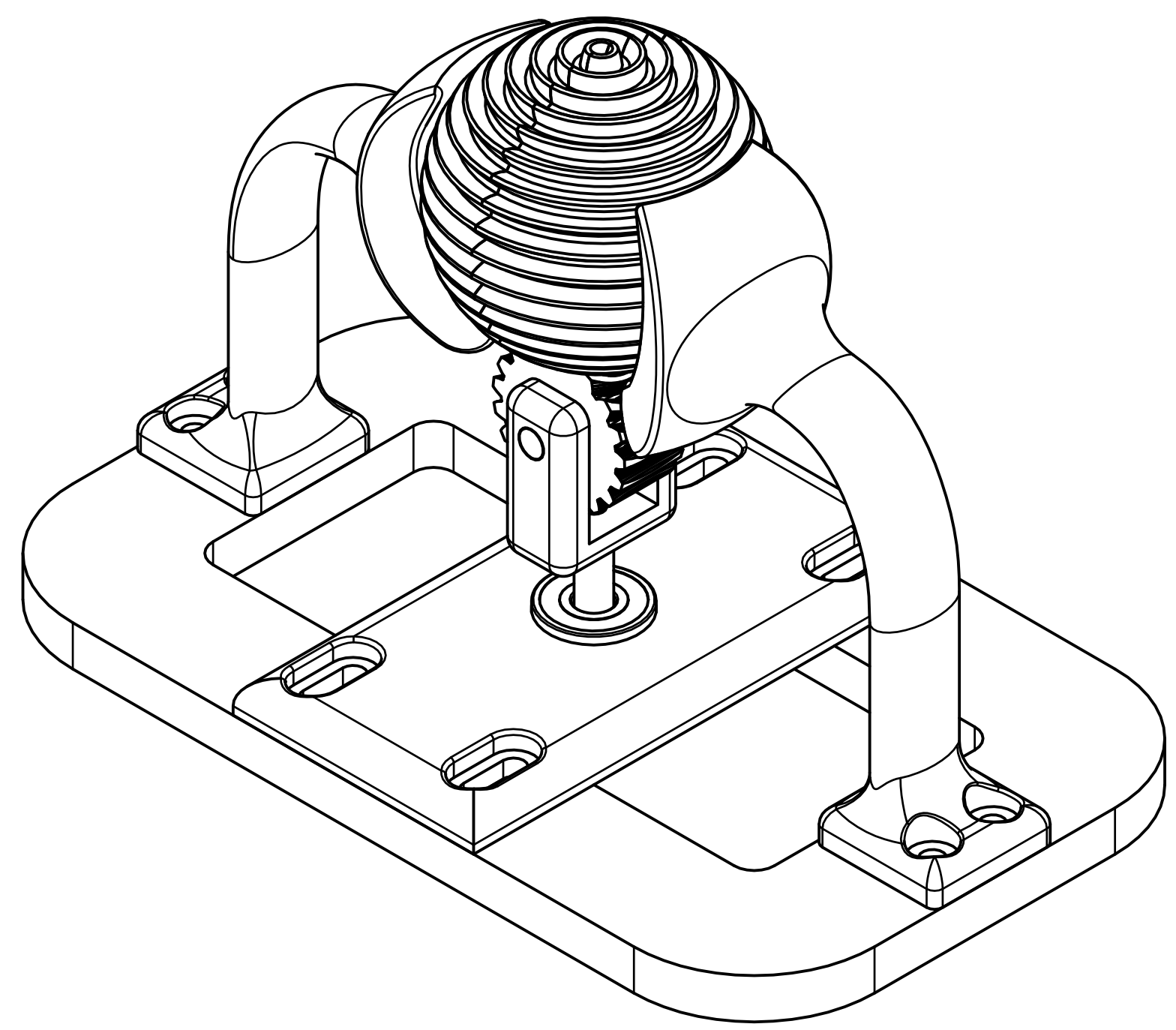
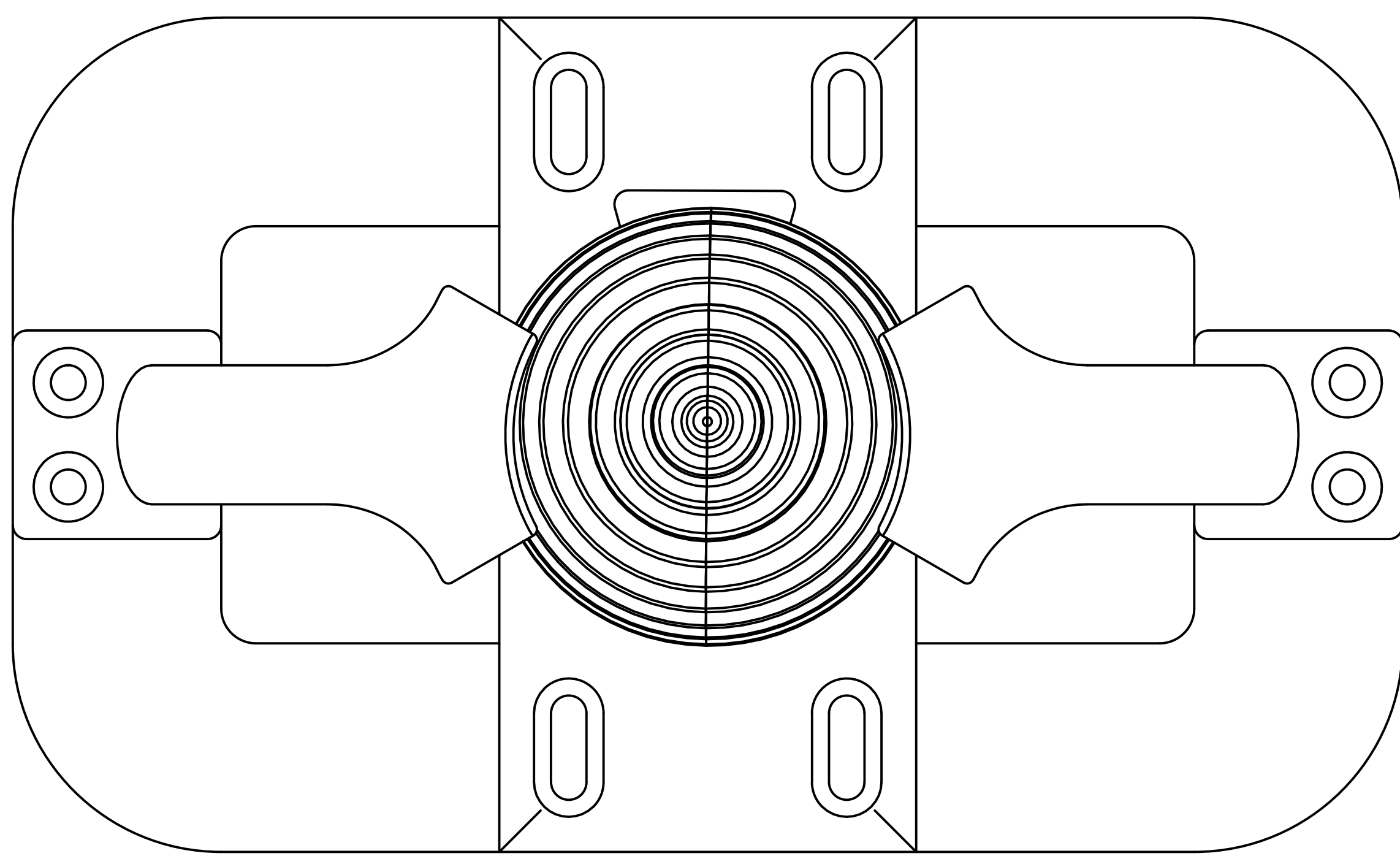
# Drive Module (Manual)



SECTION C-C  
SCALE 3 : 1

DRAWN Siwat Sirichai	3/18/2023	Siwat INC		
CHECKED		TITLE		
QA		Active Ball Joint Demo		
MFG				
APPROVED		SIZE D	DWG NO Base	REV
		SCALE 3 : 1	SHEET 6 OF 7	

# Assembly View



SECTION D-D  
SCALE 1.5 : 1

DRAWN Siwat Sirichai	3/18/2023	Siwat INC		
CHECKED		TITLE		
QA		Active Ball Joint Demo		
MFG				
APPROVED		SIZE D	DWG NO Base	REV
		SCALE 1.5 : 1		SHEET 7 OF 7