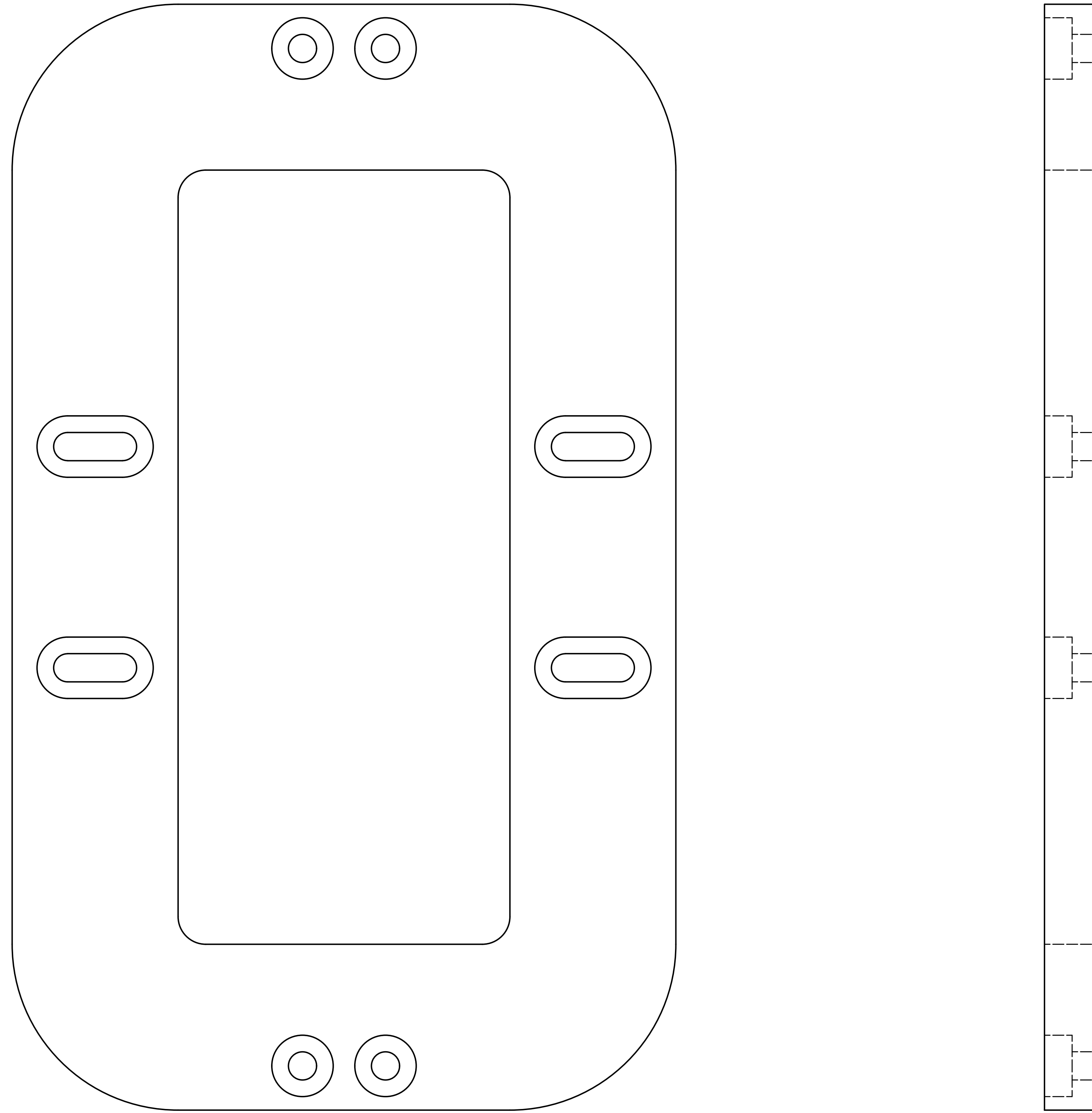
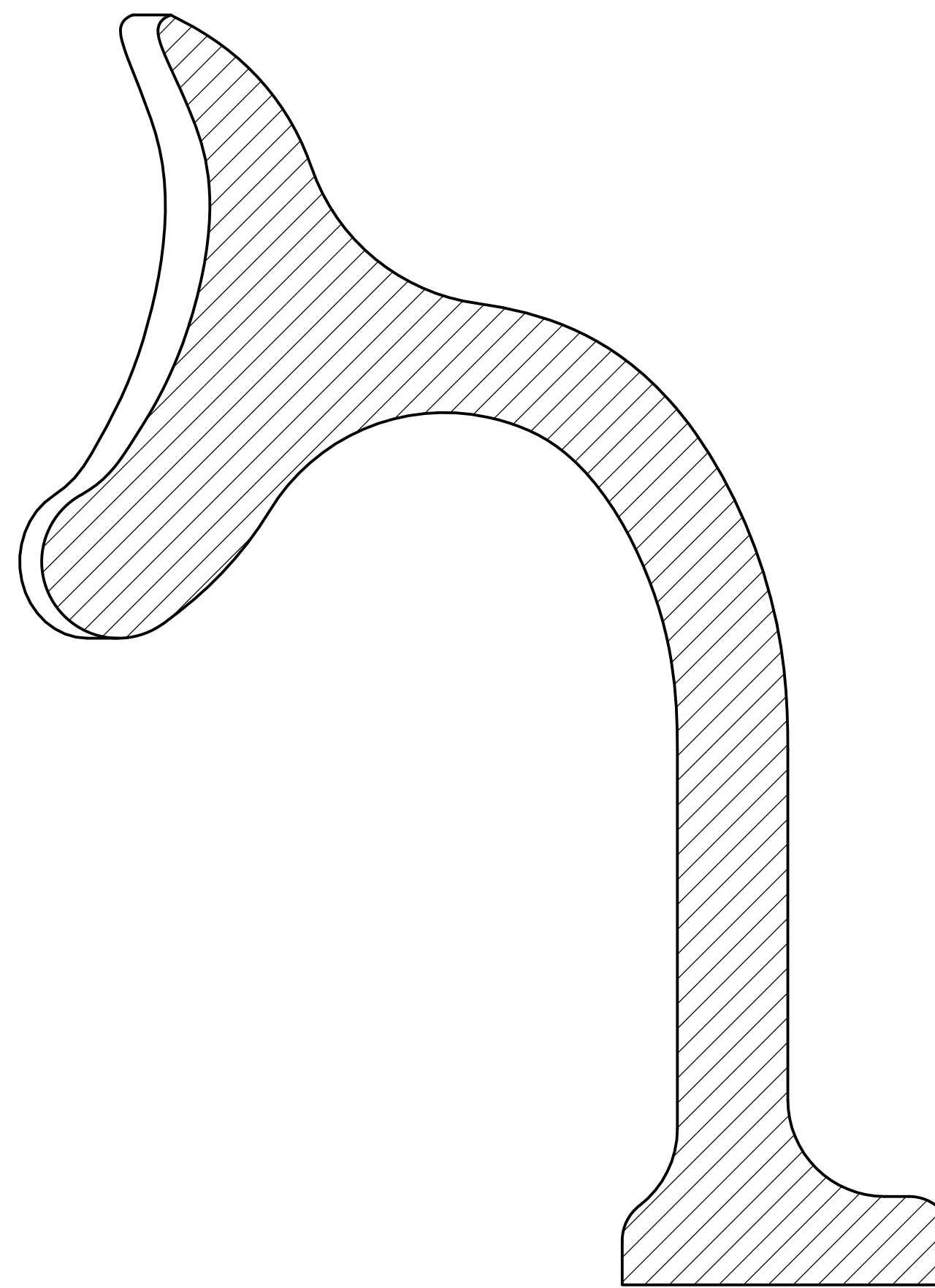
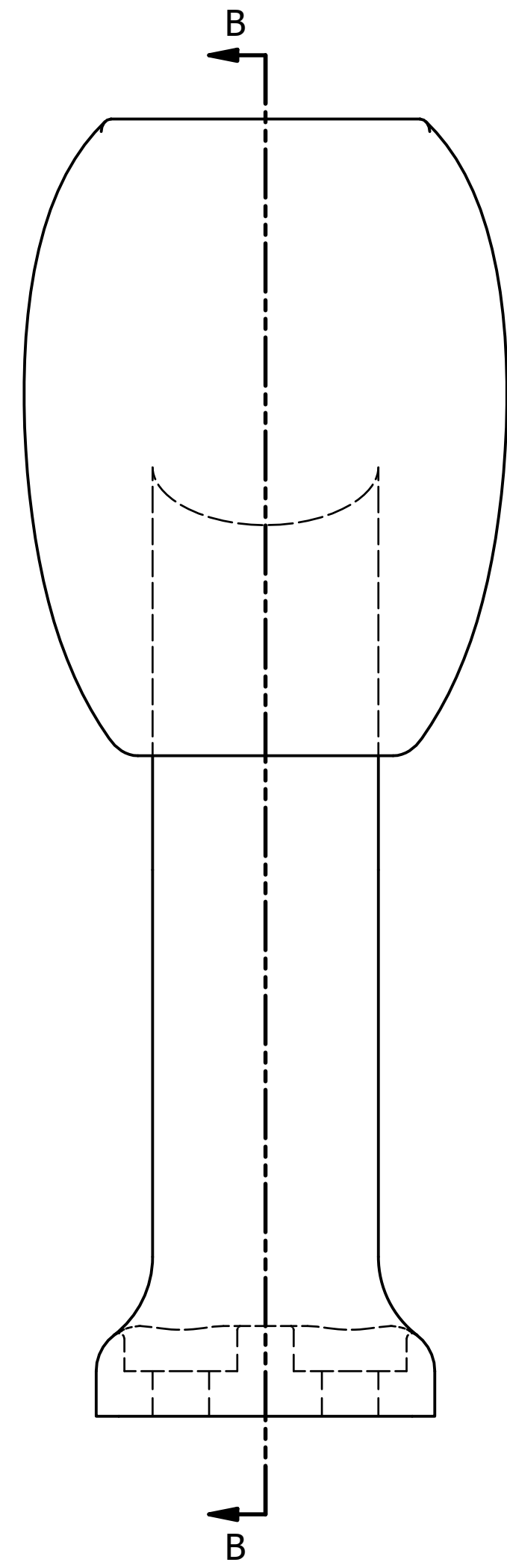


Base

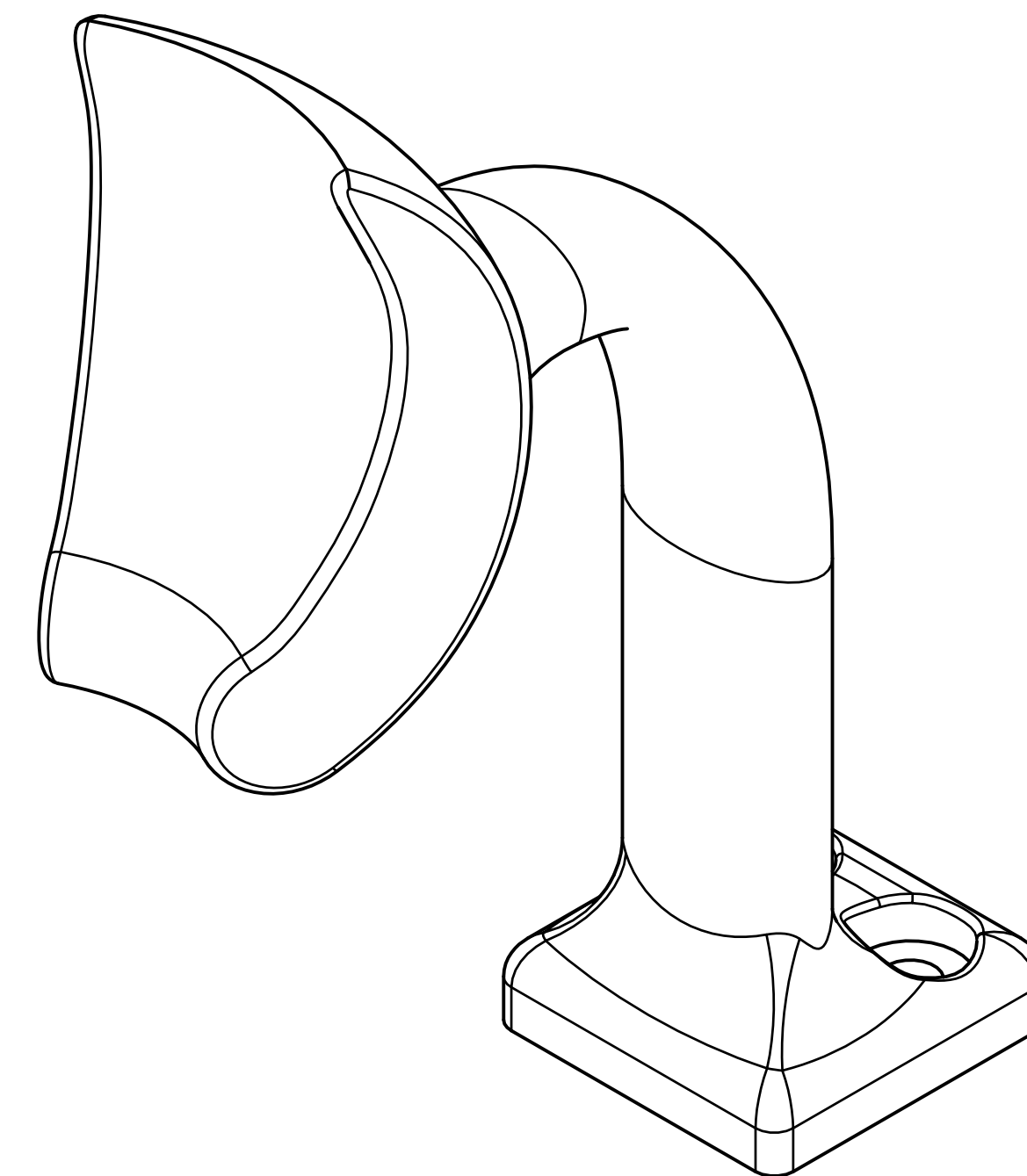
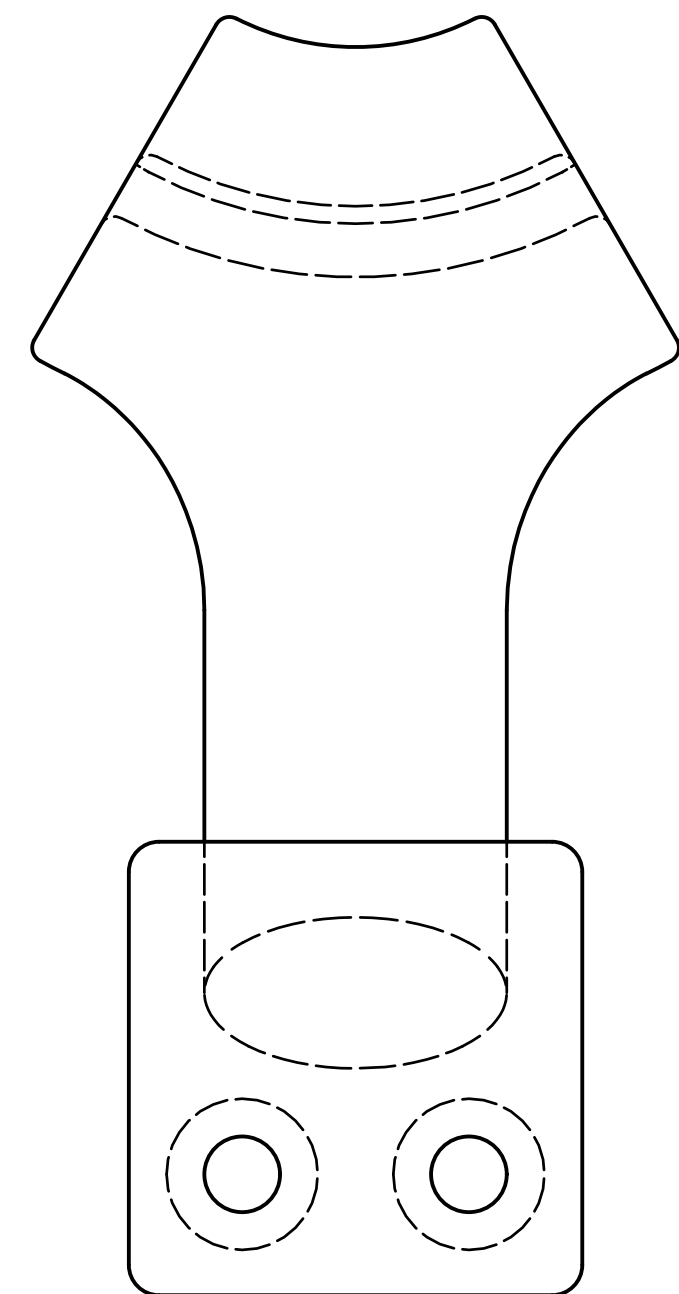


DRAWN	Siwat Sirichai	3/18/2023	Siwat INC		
CHECKED			TITLE		
QA			Active Ball Joint Demo		
MFG					
APPROVED					
			SIZE	DWG NO	REV
			D	Base	
			SCALE	2 : 1	SHEET 1 OF 7

Ball Grip

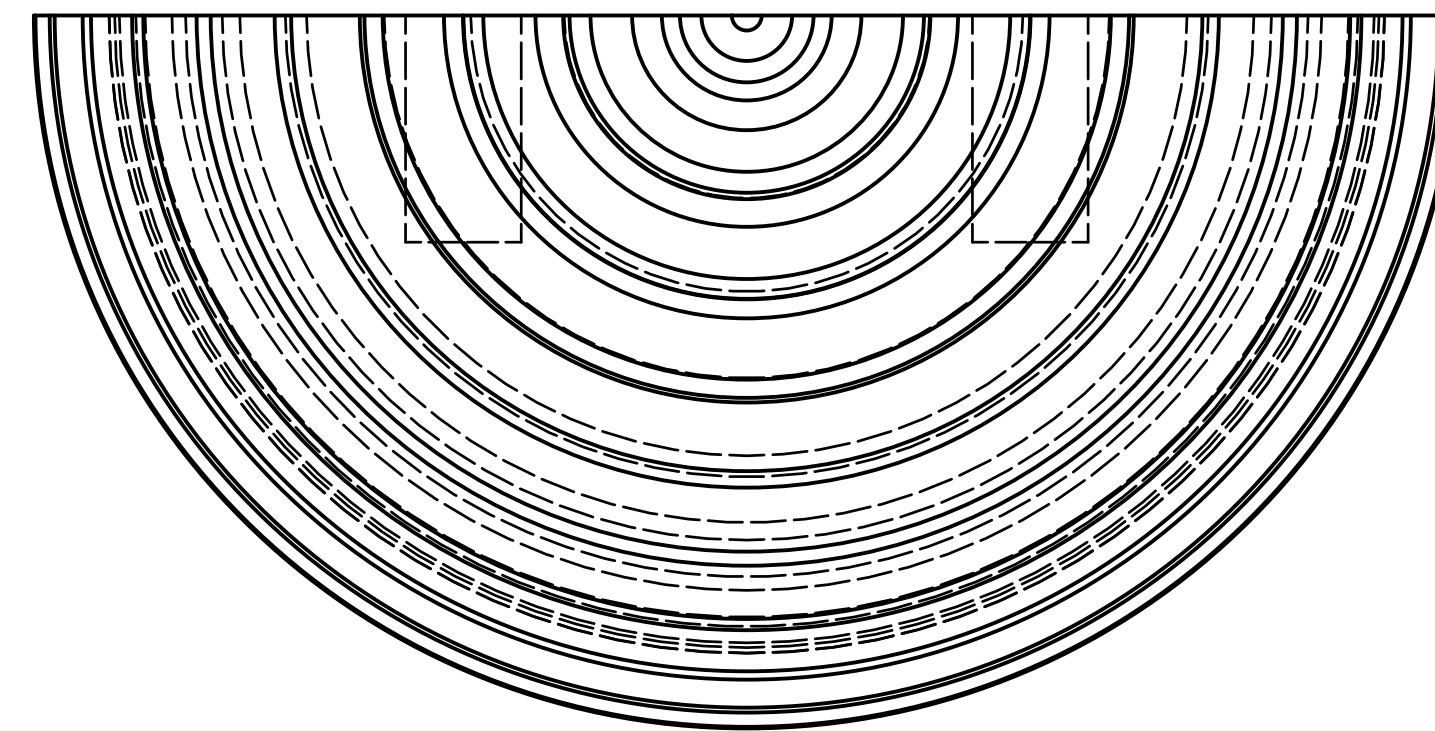
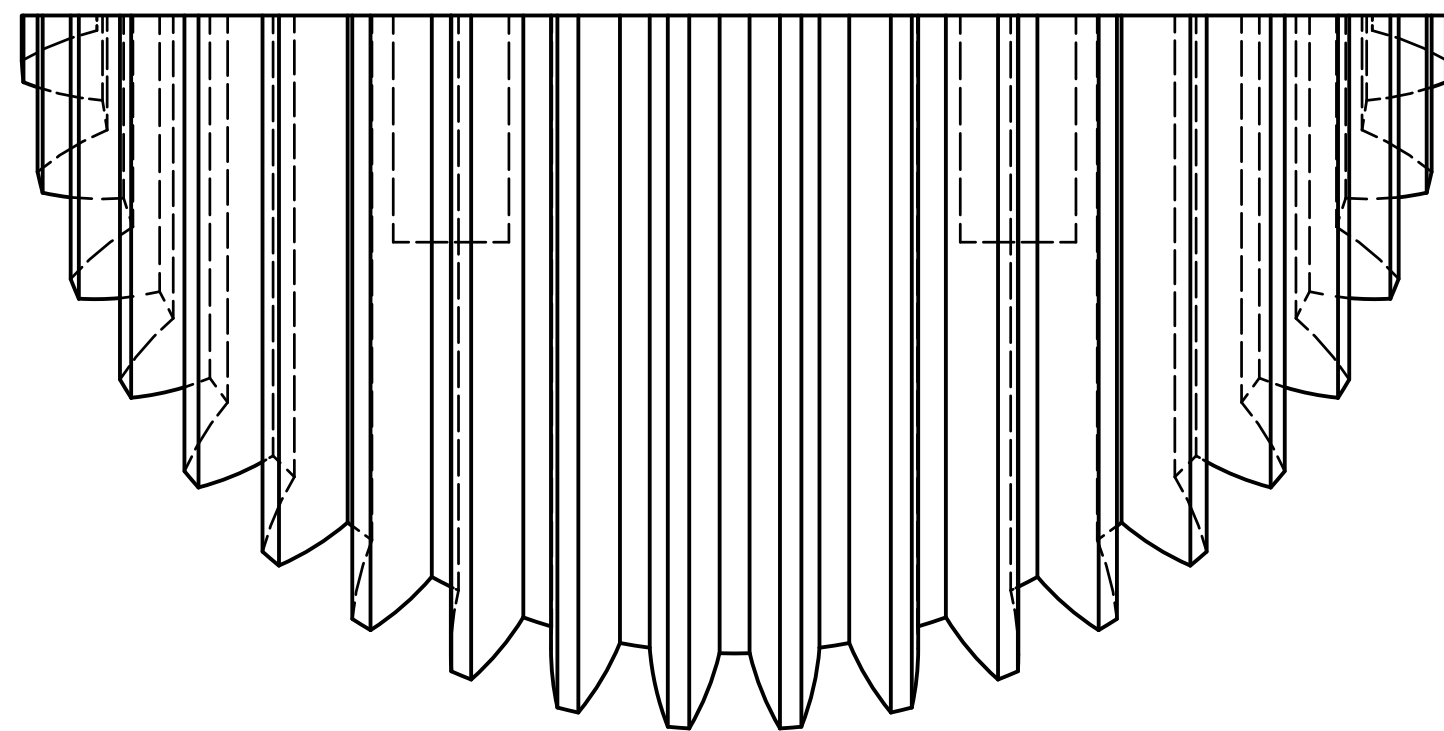
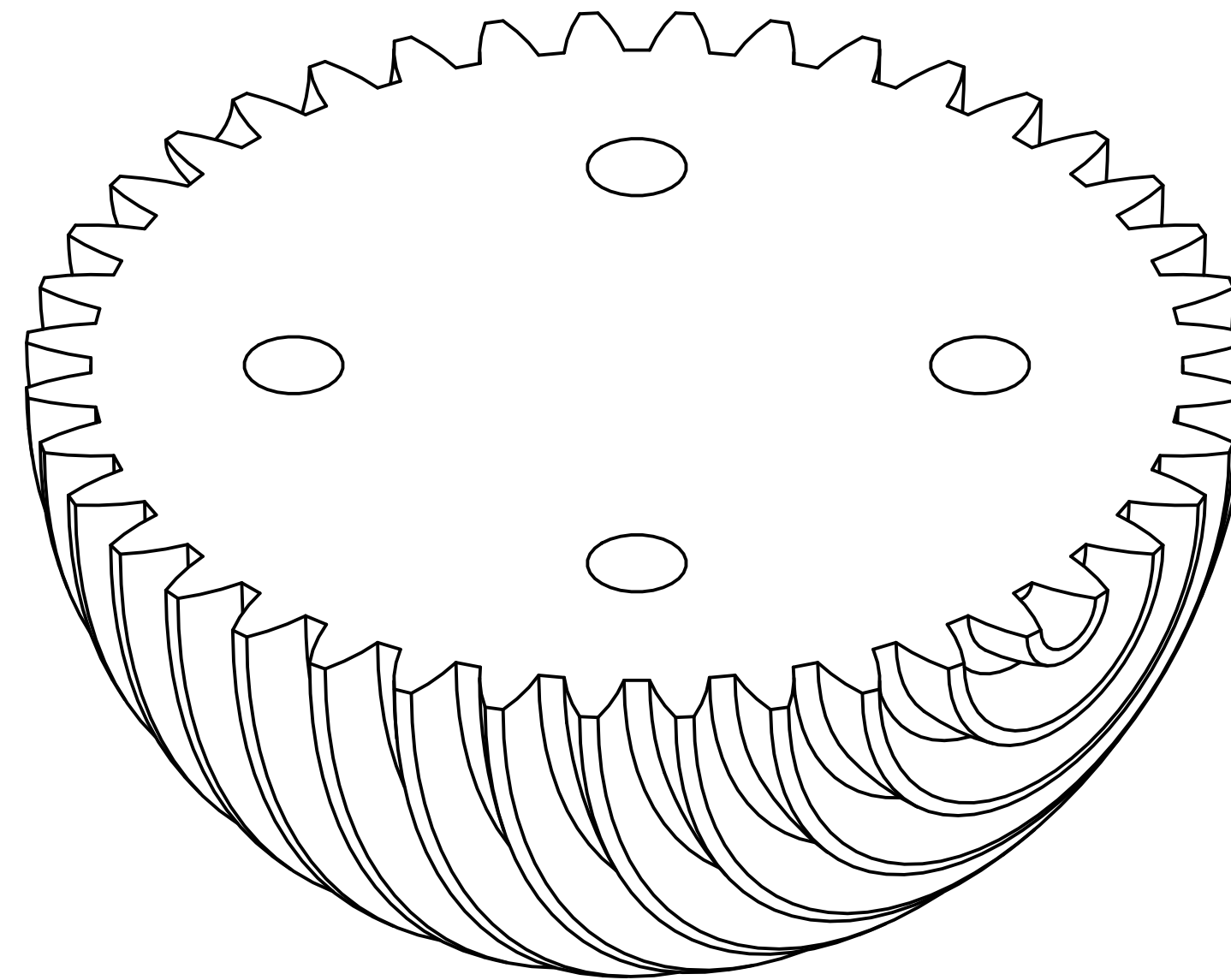
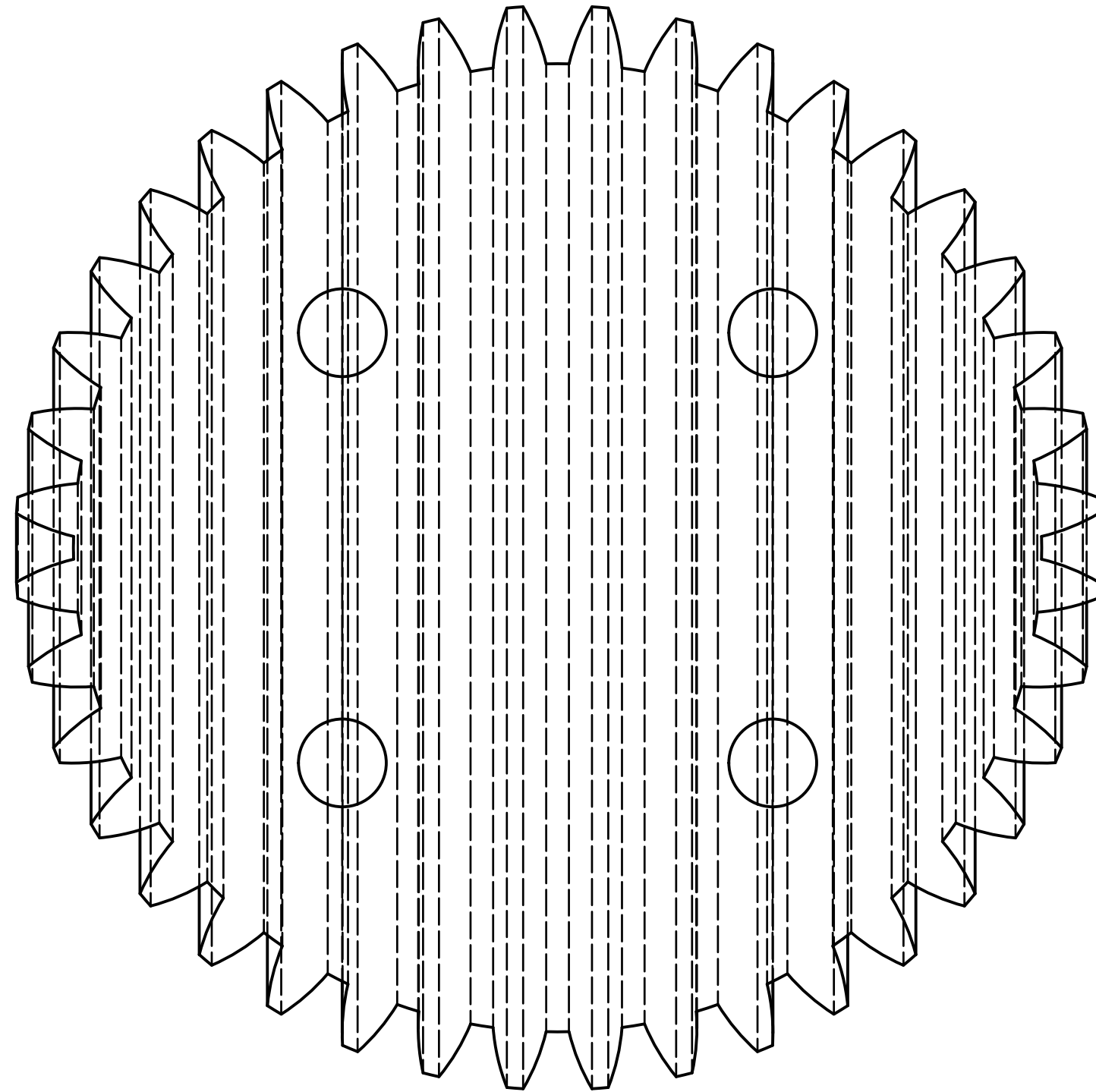


SECTION B-B
SCALE 2 : 1



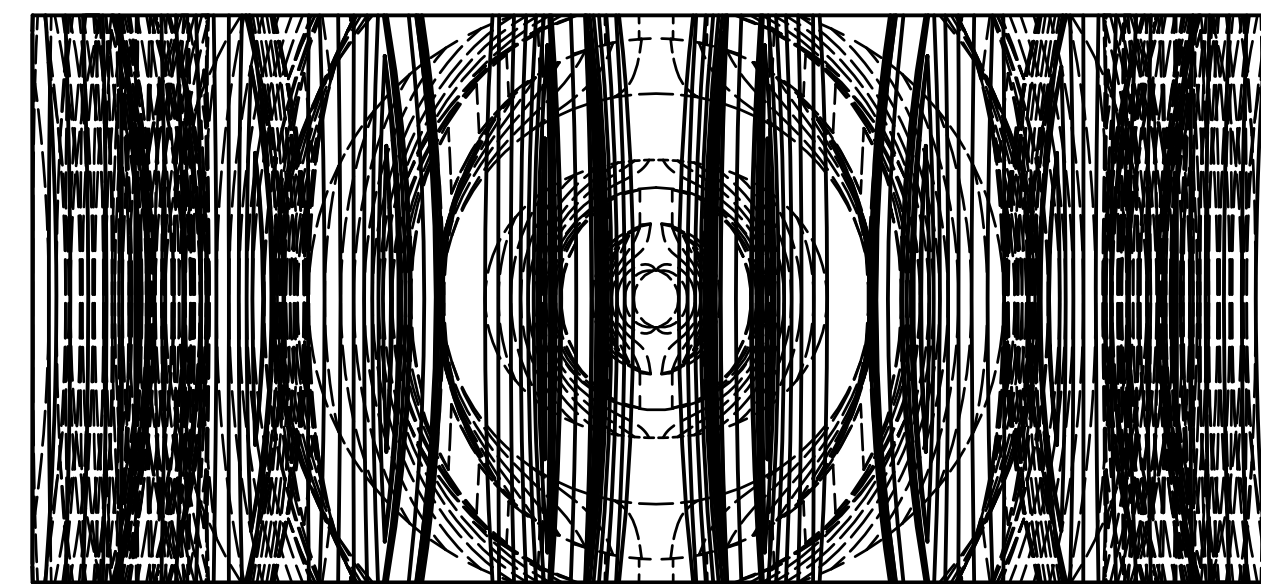
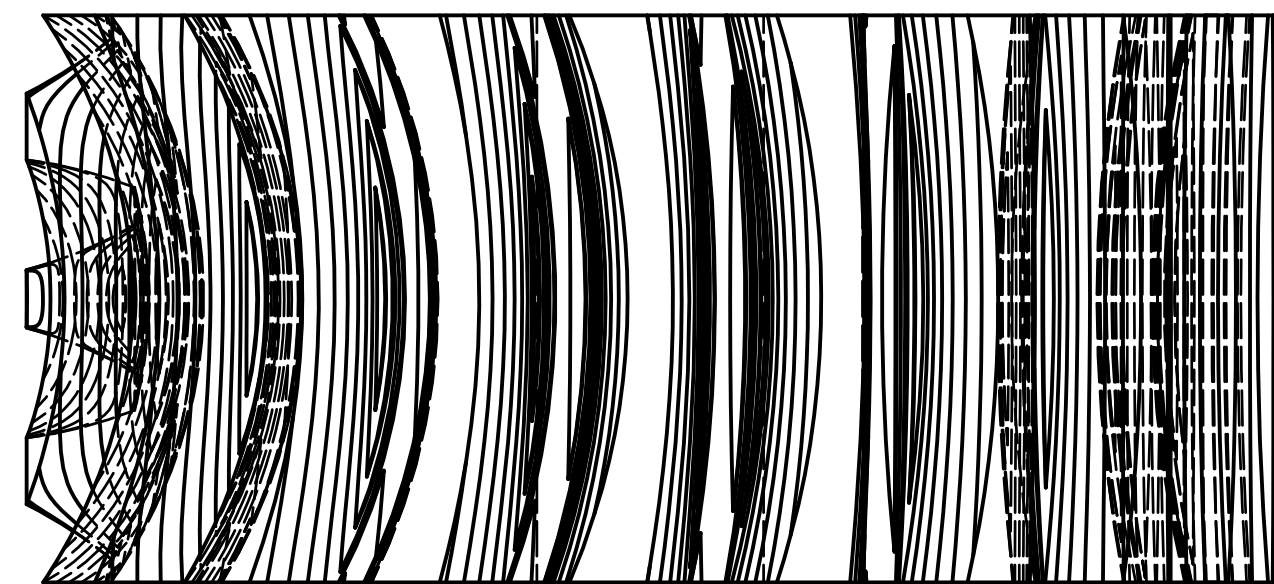
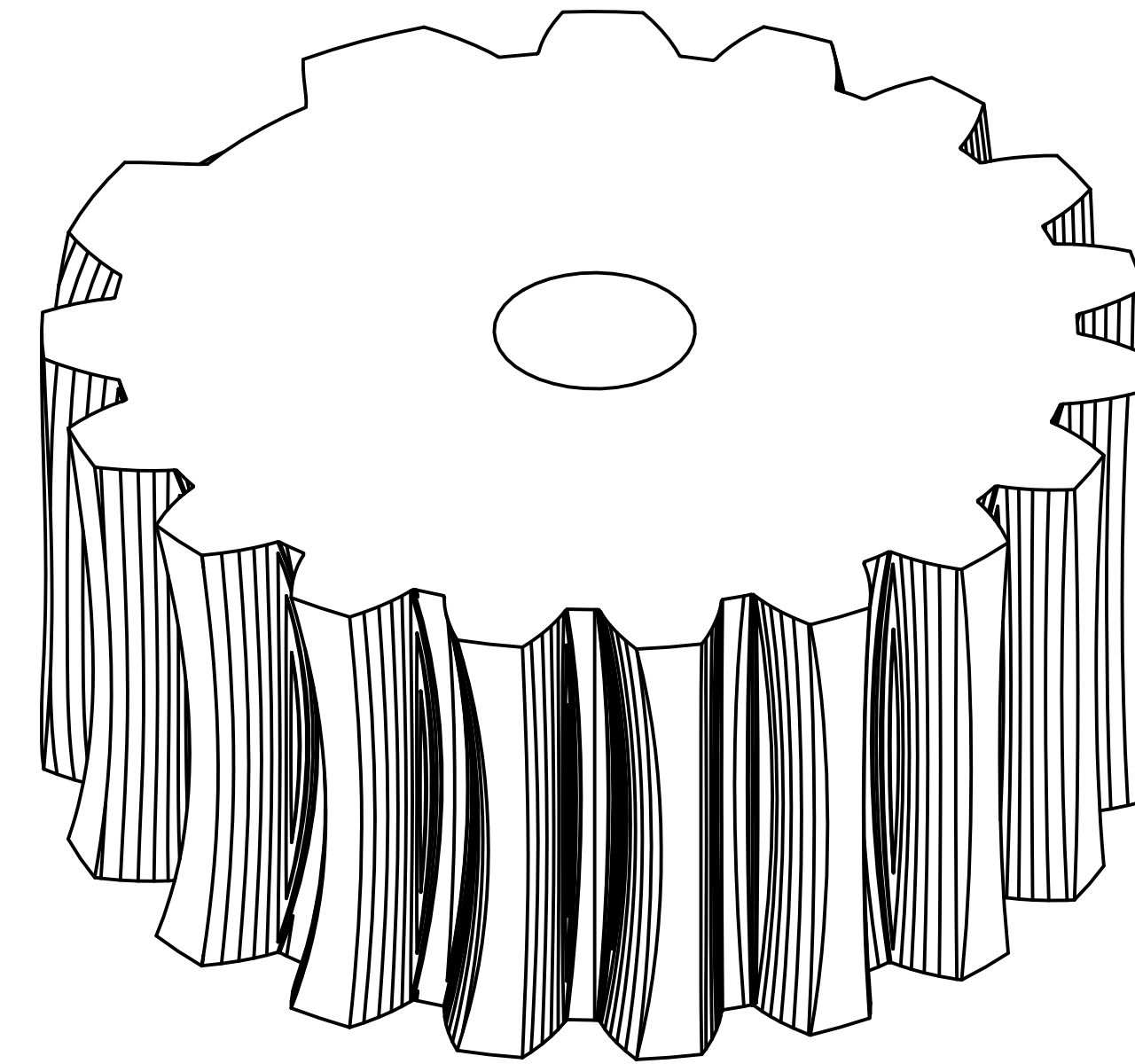
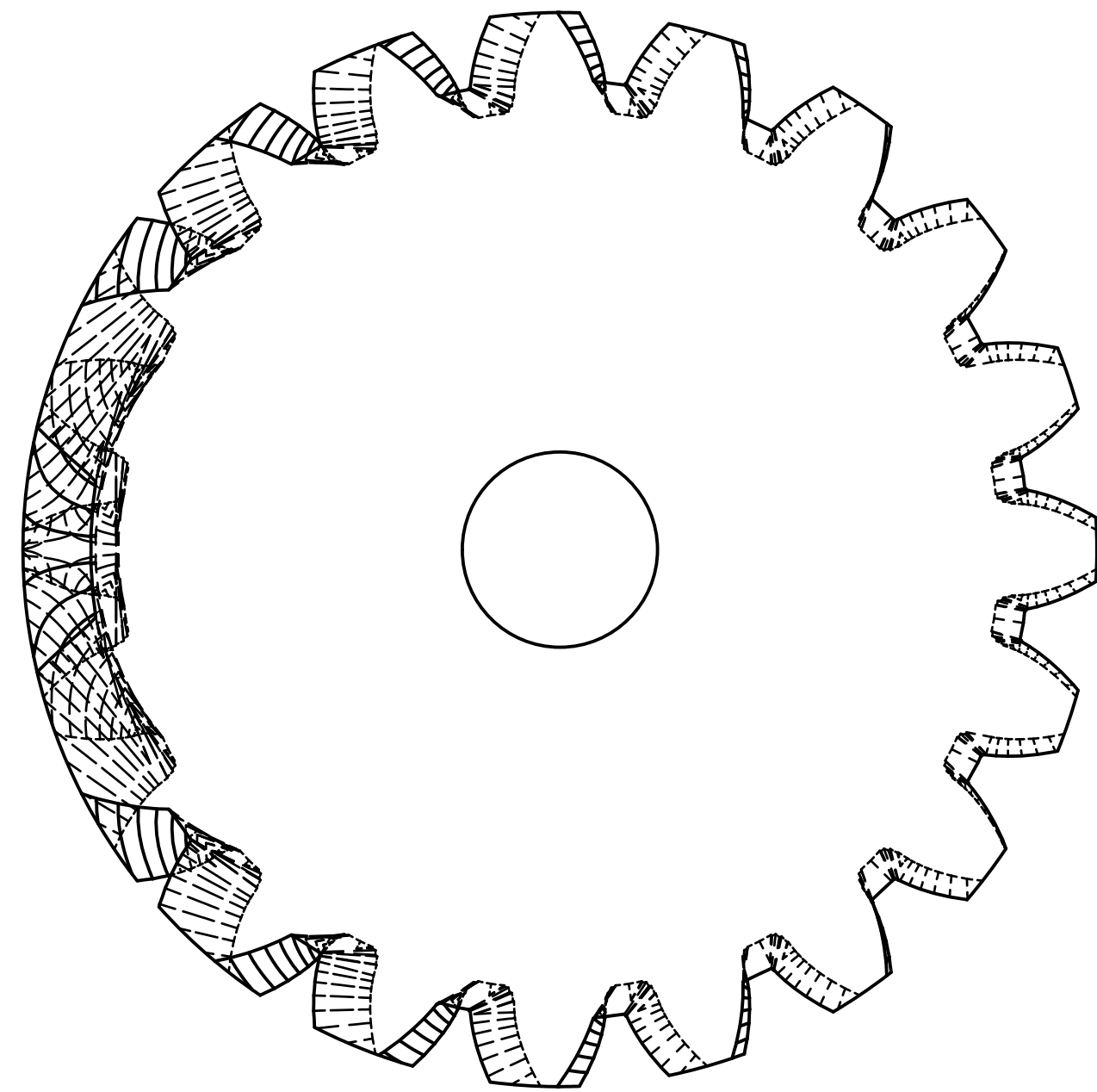
DRAWN Siwat Sirichai	3/18/2023	Siwat INC		
CHECKED		TITLE		
QA		Active Ball Joint Demo		
MFG				
APPROVED		SIZE D	DWG NO Base	REV
		SCALE 2 : 1	SHEET 2 OF 7	

Single Axis Spherical Gear



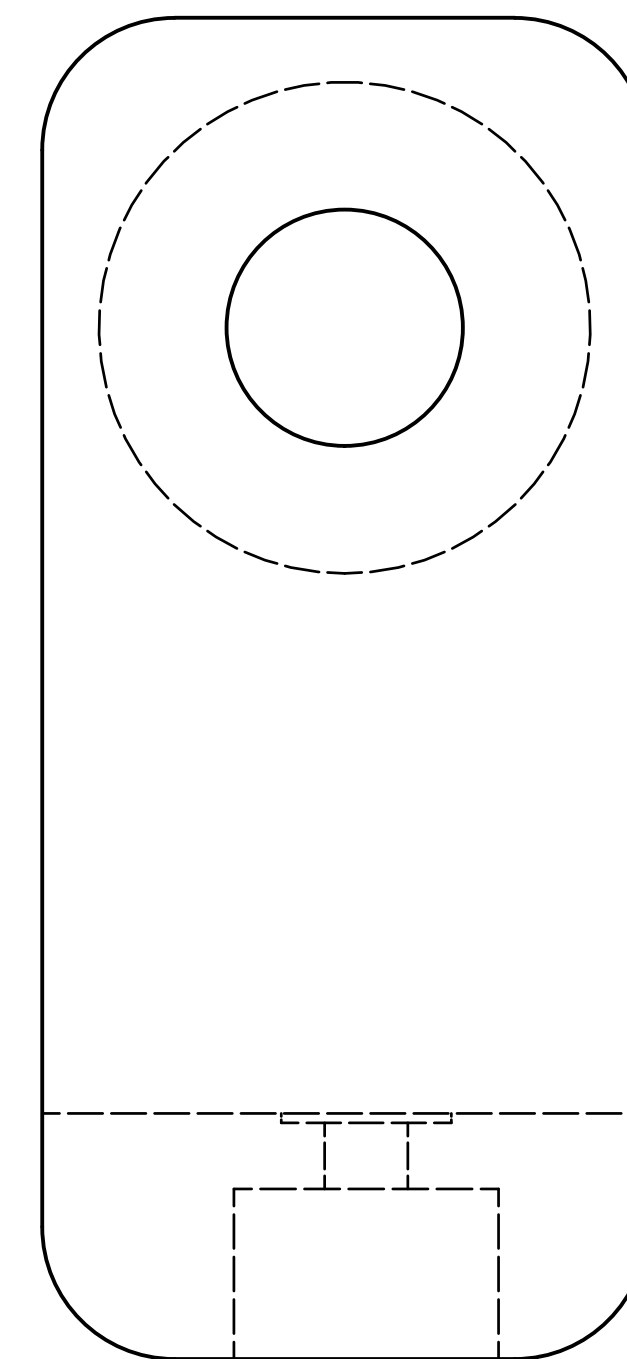
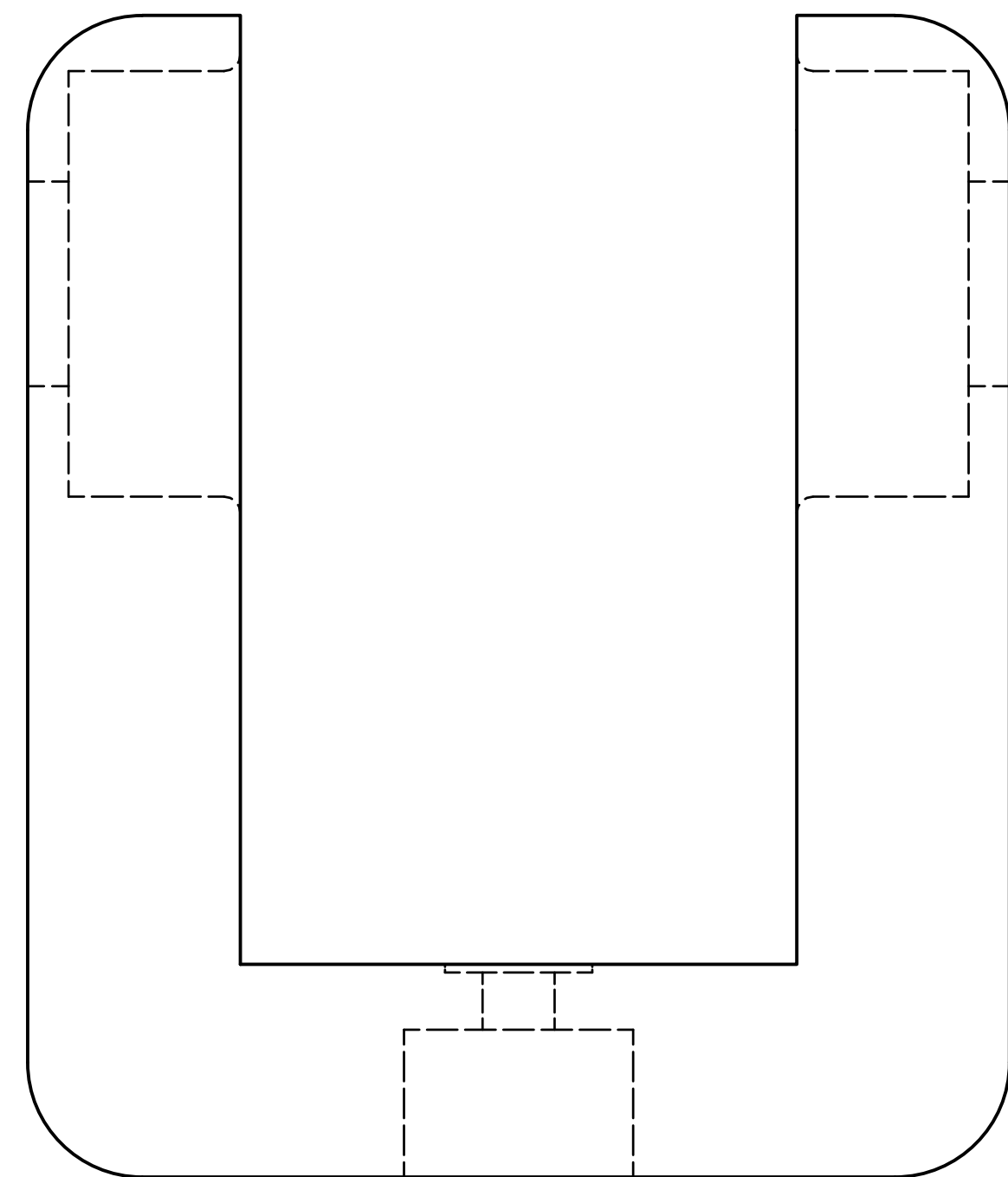
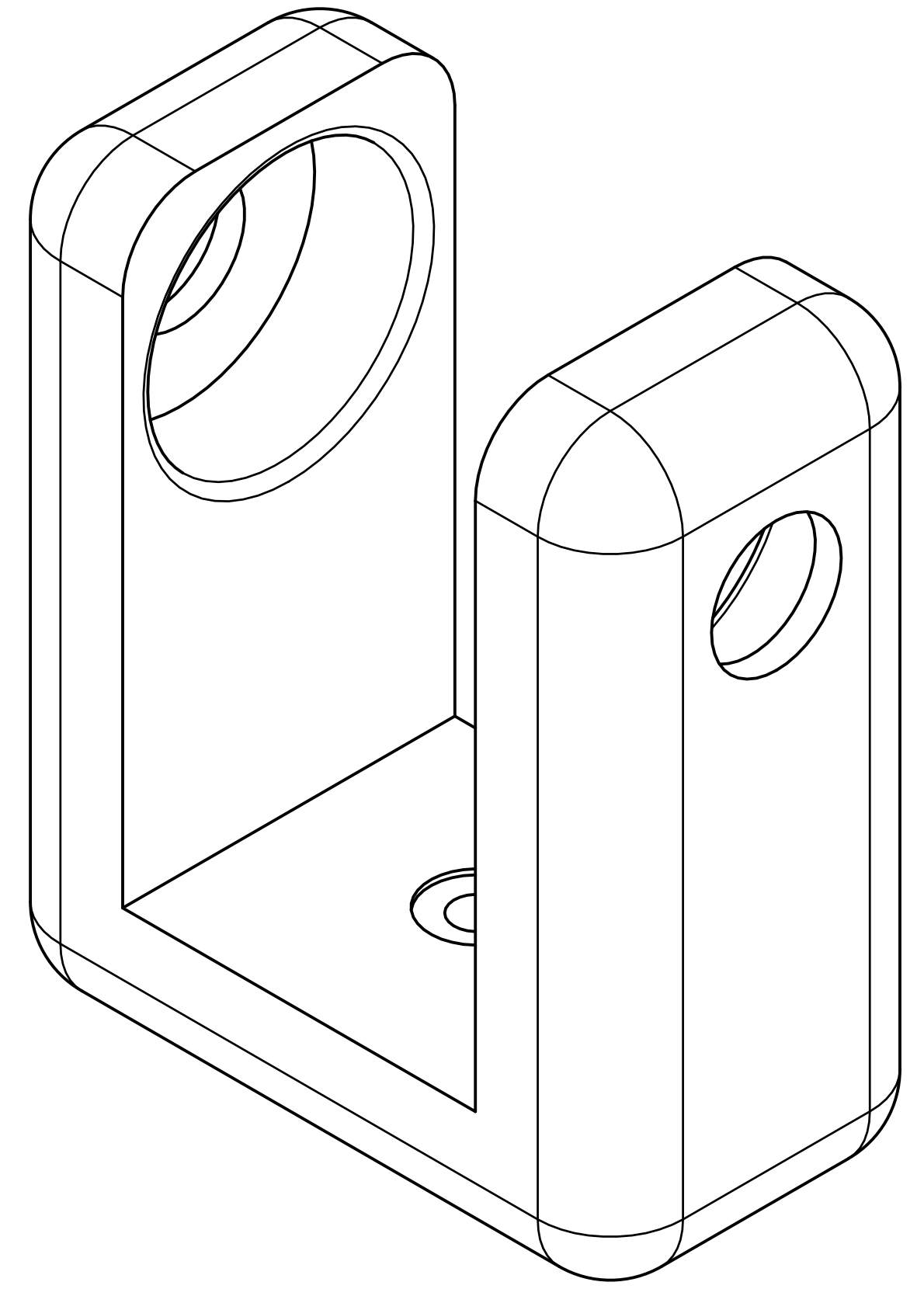
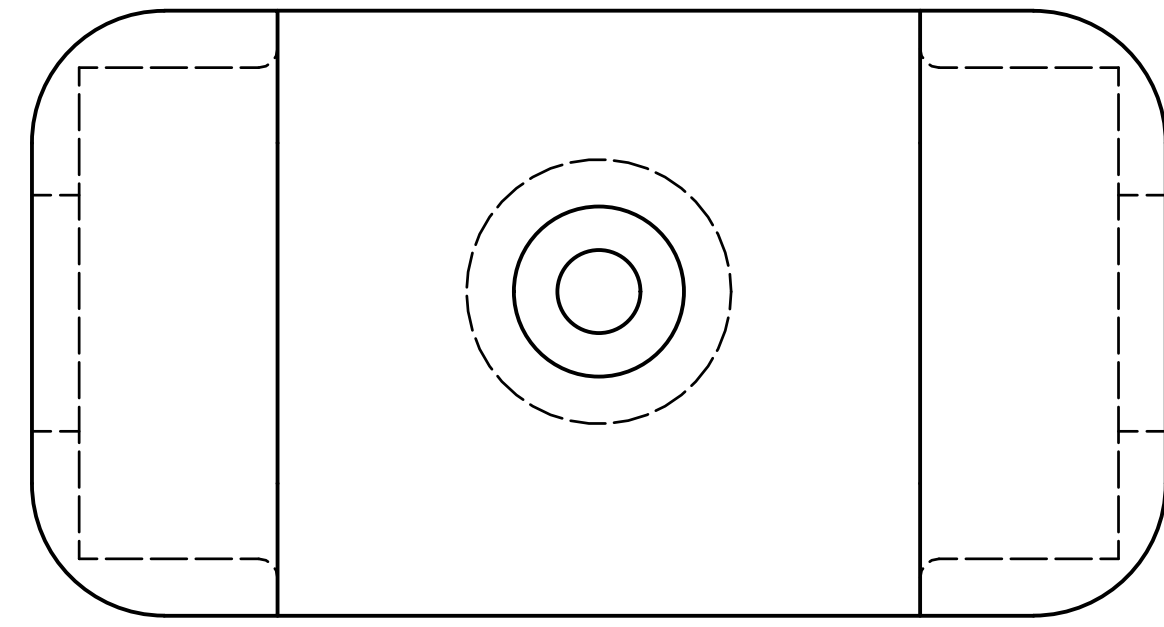
DRAWN	Siwat Sirichai	3/18/2023	Siwat INC		
CHECKED			TITLE		
QA			Active Ball Joint Demo		
MFG					
APPROVED					
			SIZE	DWG NO	REV
			D	Base	
			SCALE	3 : 1	SHEET 3 OF 7

Monopole Gear



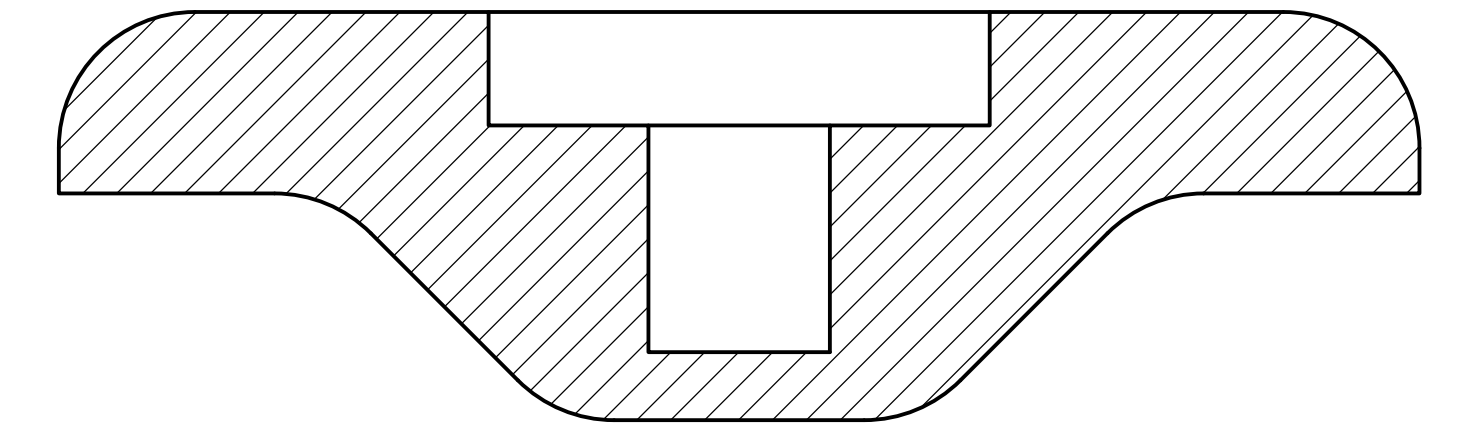
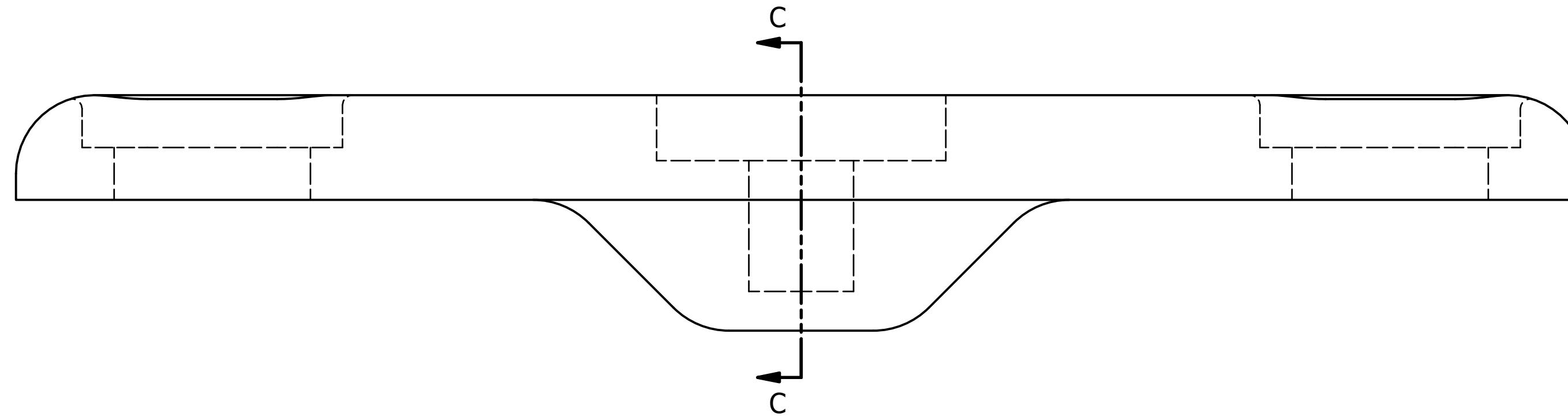
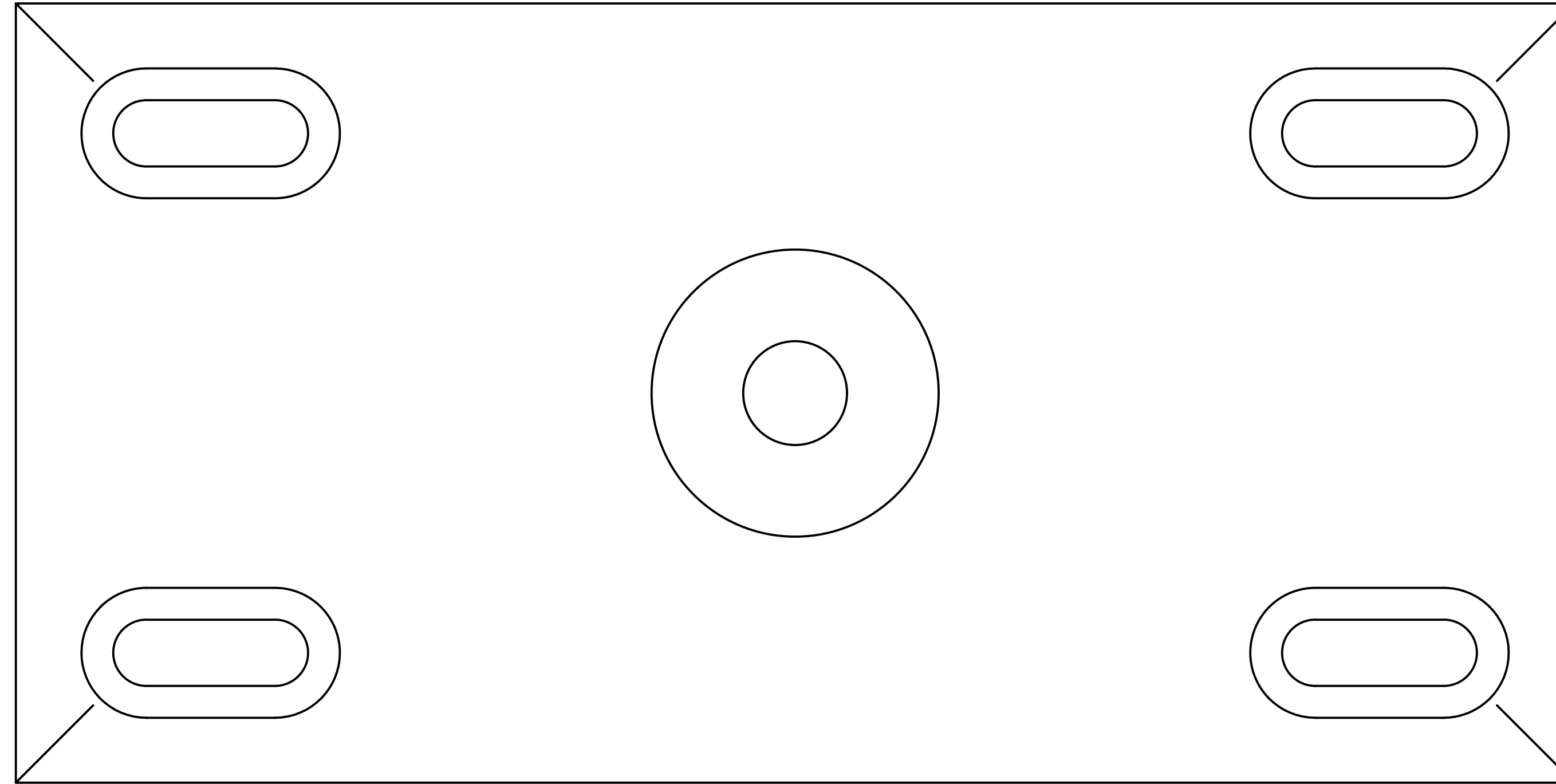
DRAWN Siwat Sirichai	3/18/2023	Siwat INC		
CHECKED		TITLE		
QA		Active Ball Joint Demo		
MFG				
APPROVED				
		SIZE D	DWG NO Base	REV
		SCALE 5 : 1	SHEET 4 OF 7	

Monopole Gear Carrier



DRAWN Siwat Sirichai	3/18/2023	Siwat INC		
CHECKED		TITLE		
QA		Active Ball Joint Demo		
MFG		SIZE	DWG NO	REV
APPROVED		D	Base	
		SCALE	5 : 1	SHEET 5 OF 7

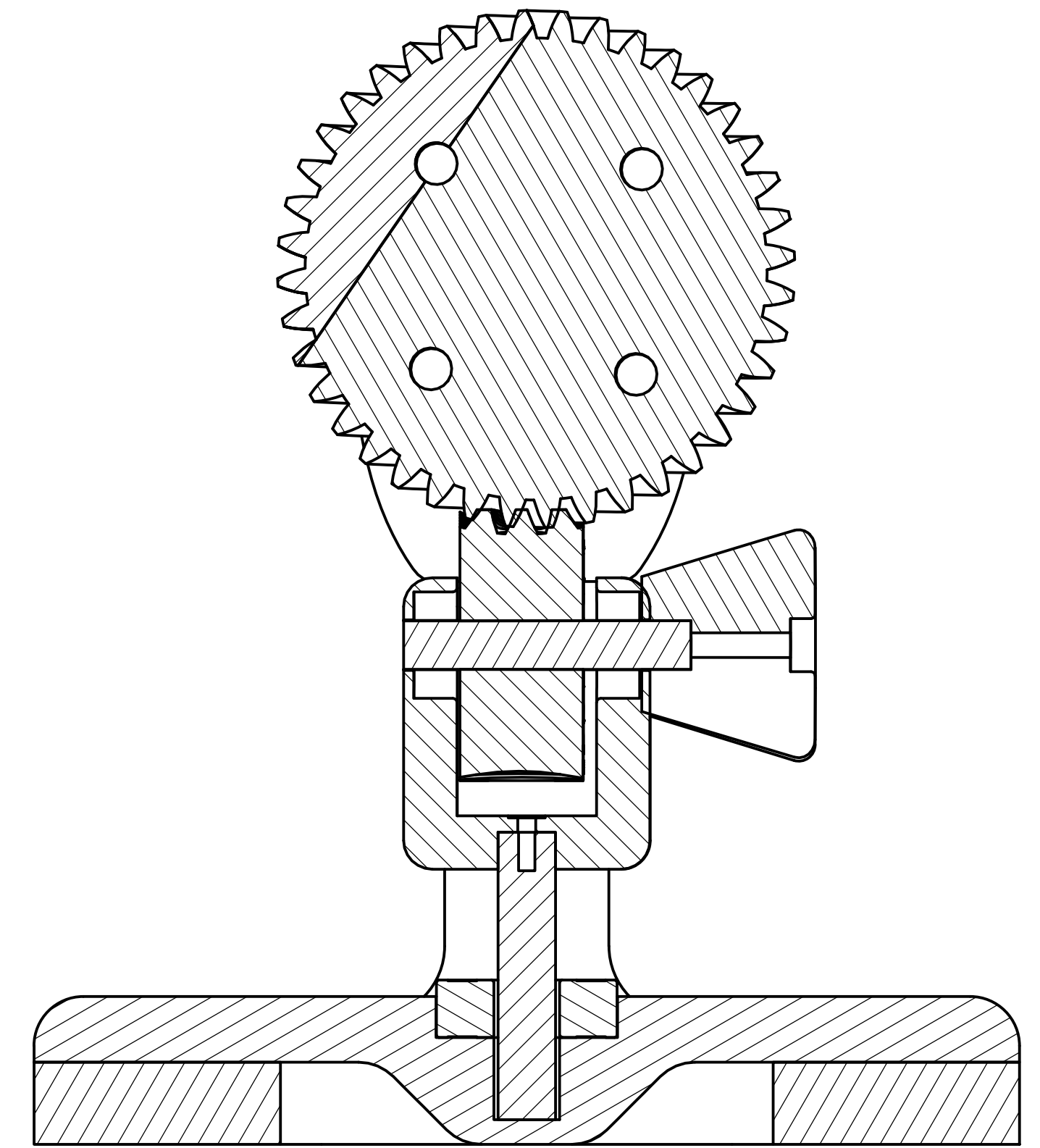
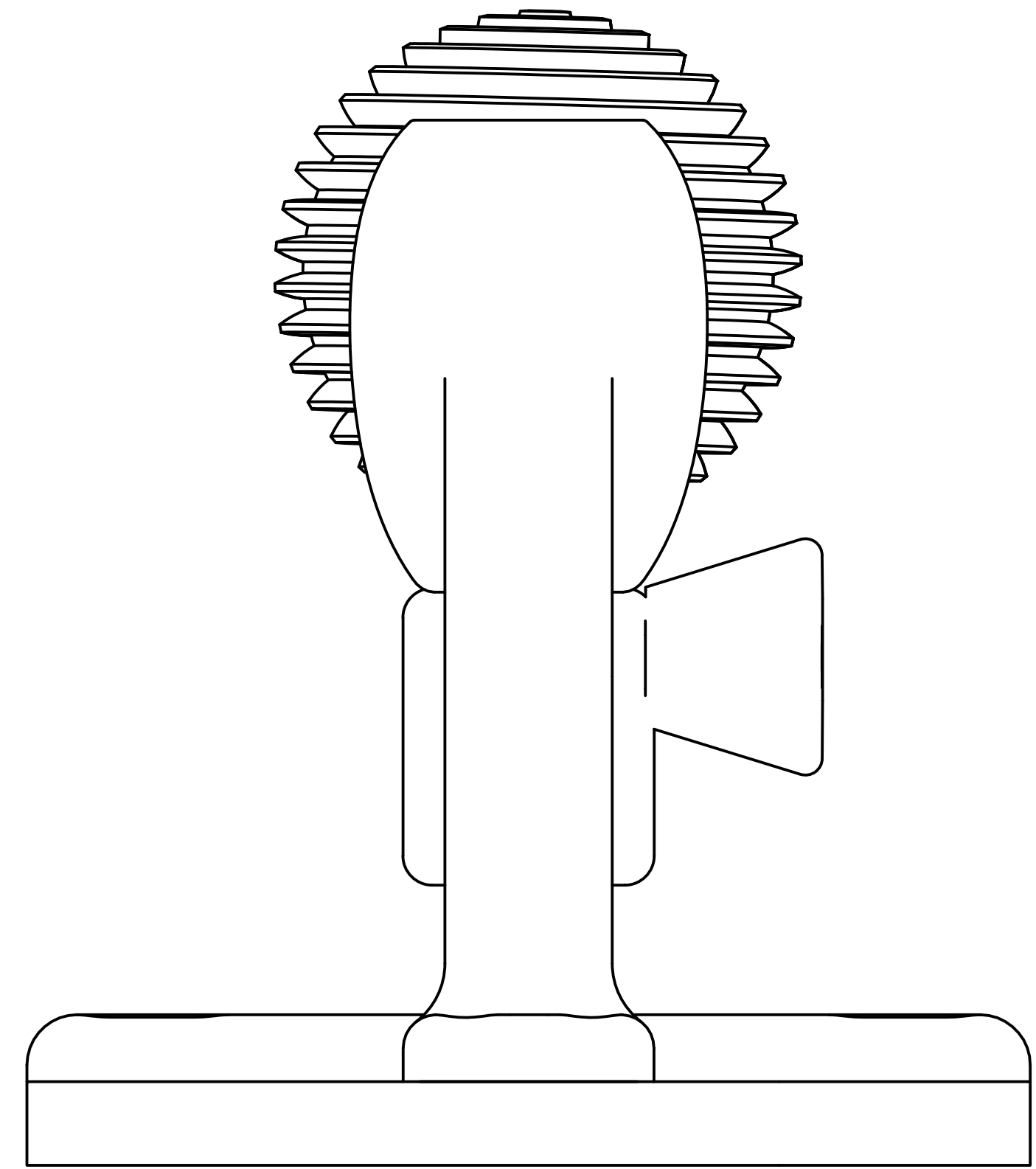
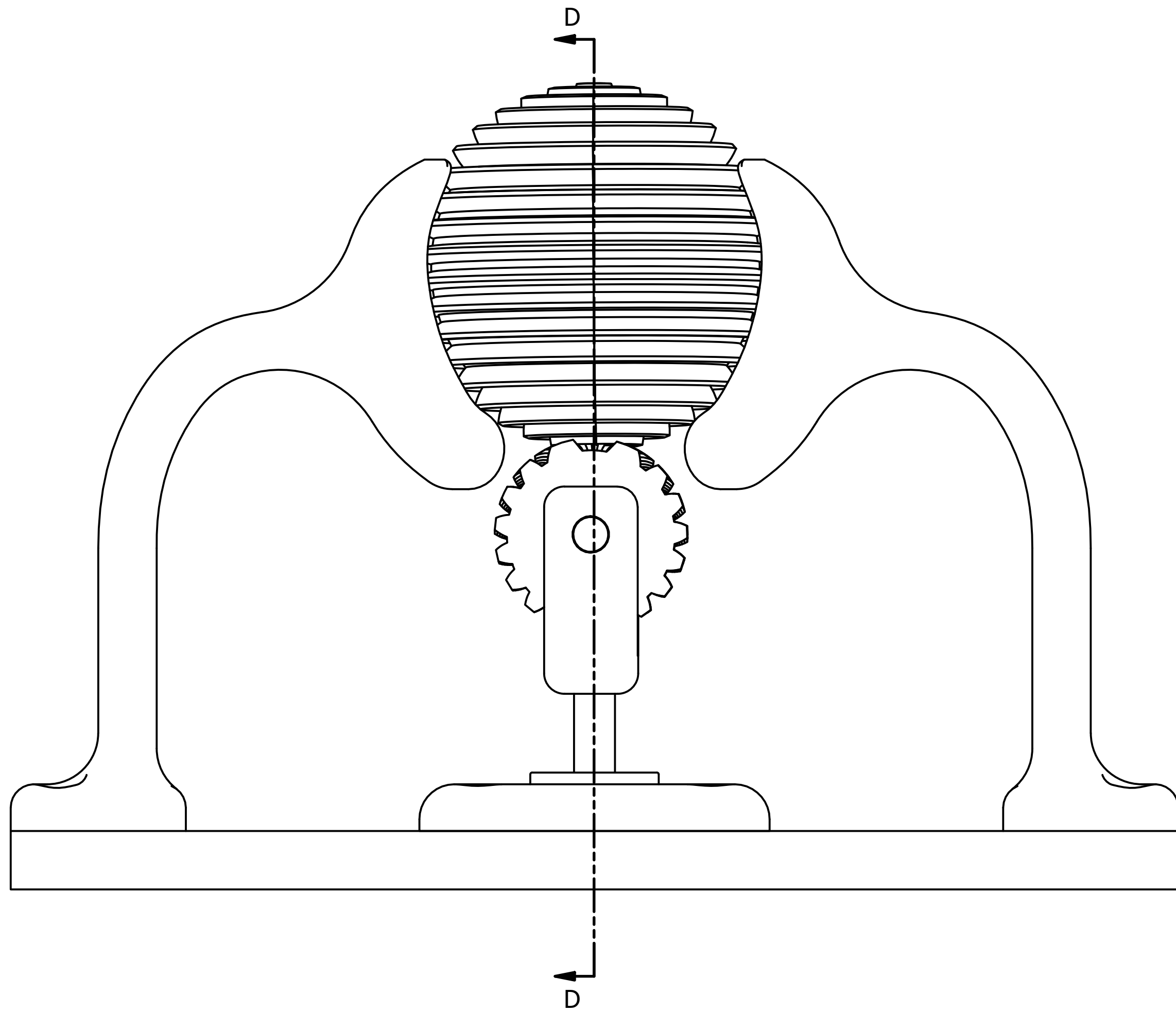
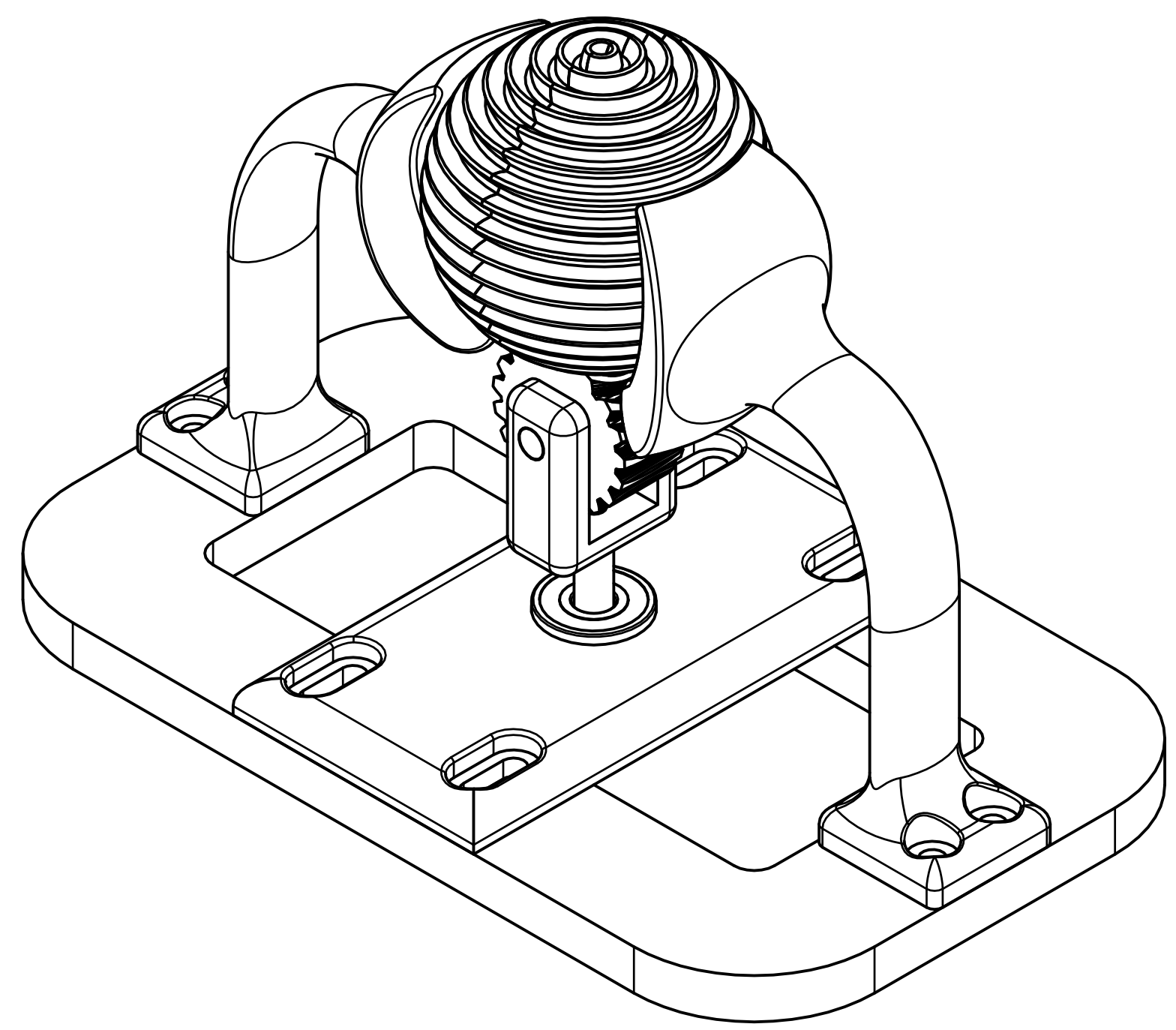
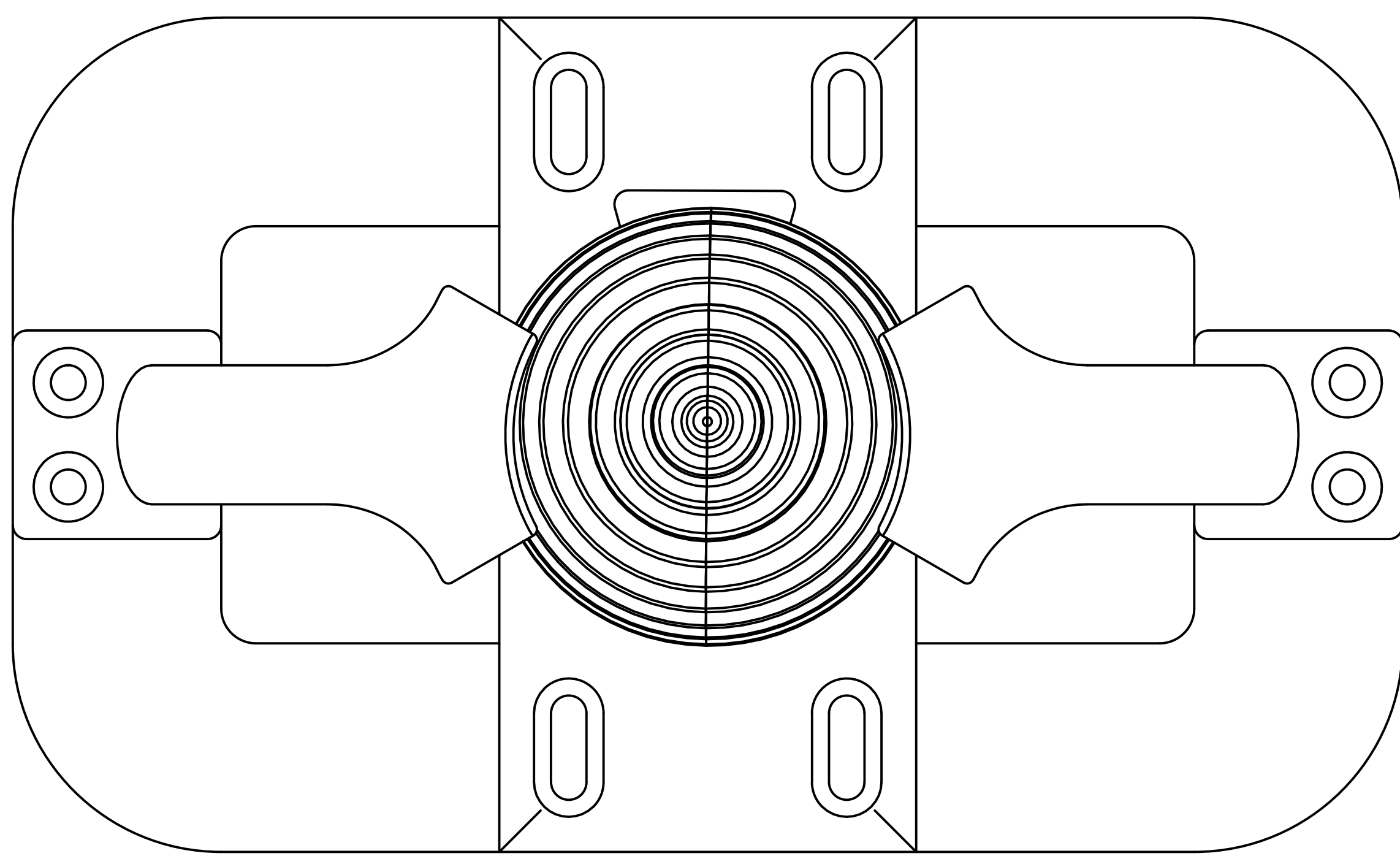
Drive Module (Manual)



SECTION C-C
SCALE 3 : 1

DRAWN Siwat Sirichai	3/18/2023	Siwat INC		
CHECKED		TITLE		
QA		Active Ball Joint Demo		
MFG		SIZE D	DWG NO Base	REV
APPROVED		SCALE 3 : 1	SHEET 6 OF 7	

Assembly View



SECTION D-D
SCALE 1.5 : 1

DRAWN Siwat Sirichai	3/18/2023	Siwat INC		
CHECKED		TITLE		
QA		Active Ball Joint Demo		
MFG				
APPROVED		SIZE D	DWG NO Base	REV
SCALE 1.5 : 1		SHEET 7 OF 7		