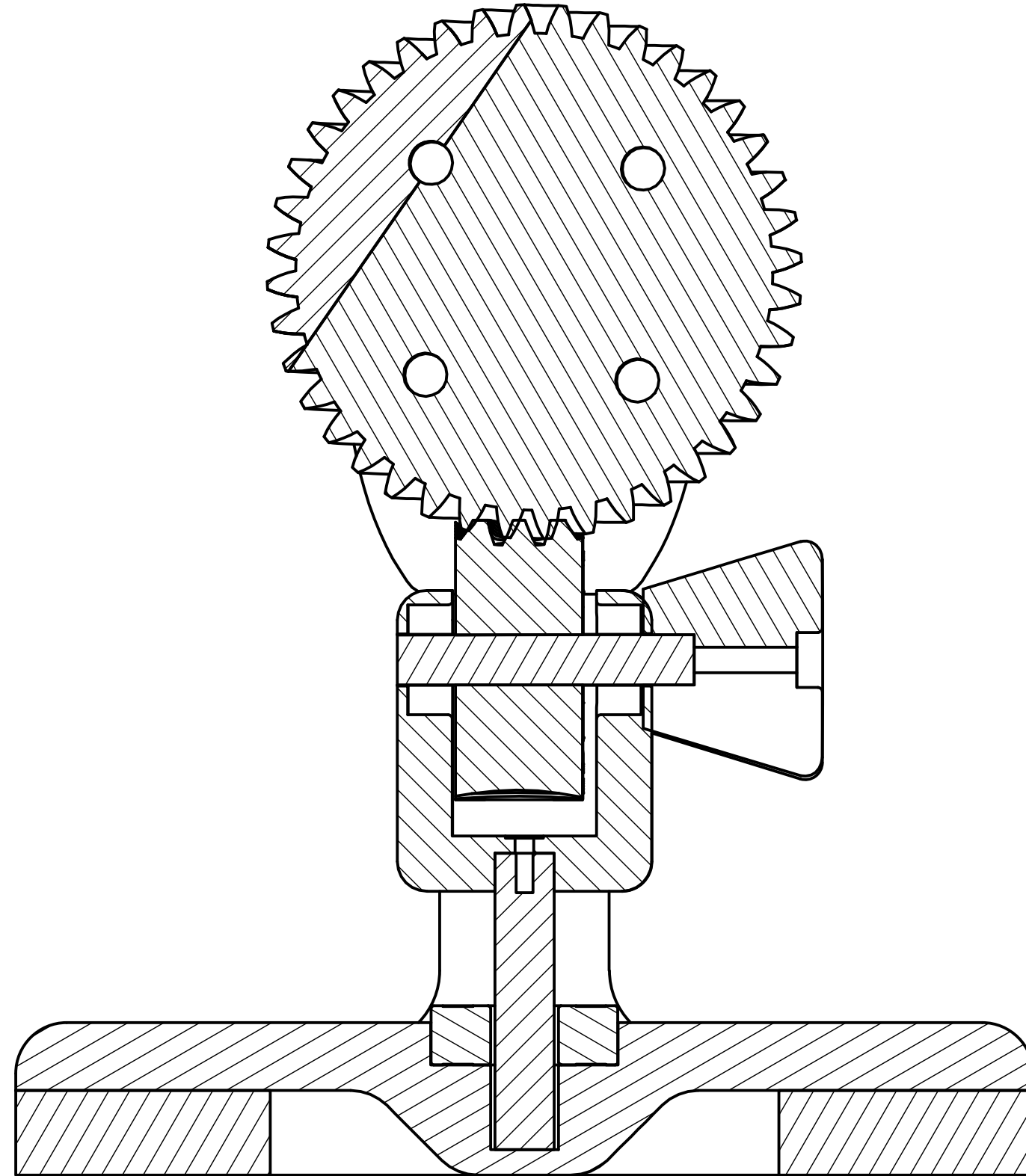
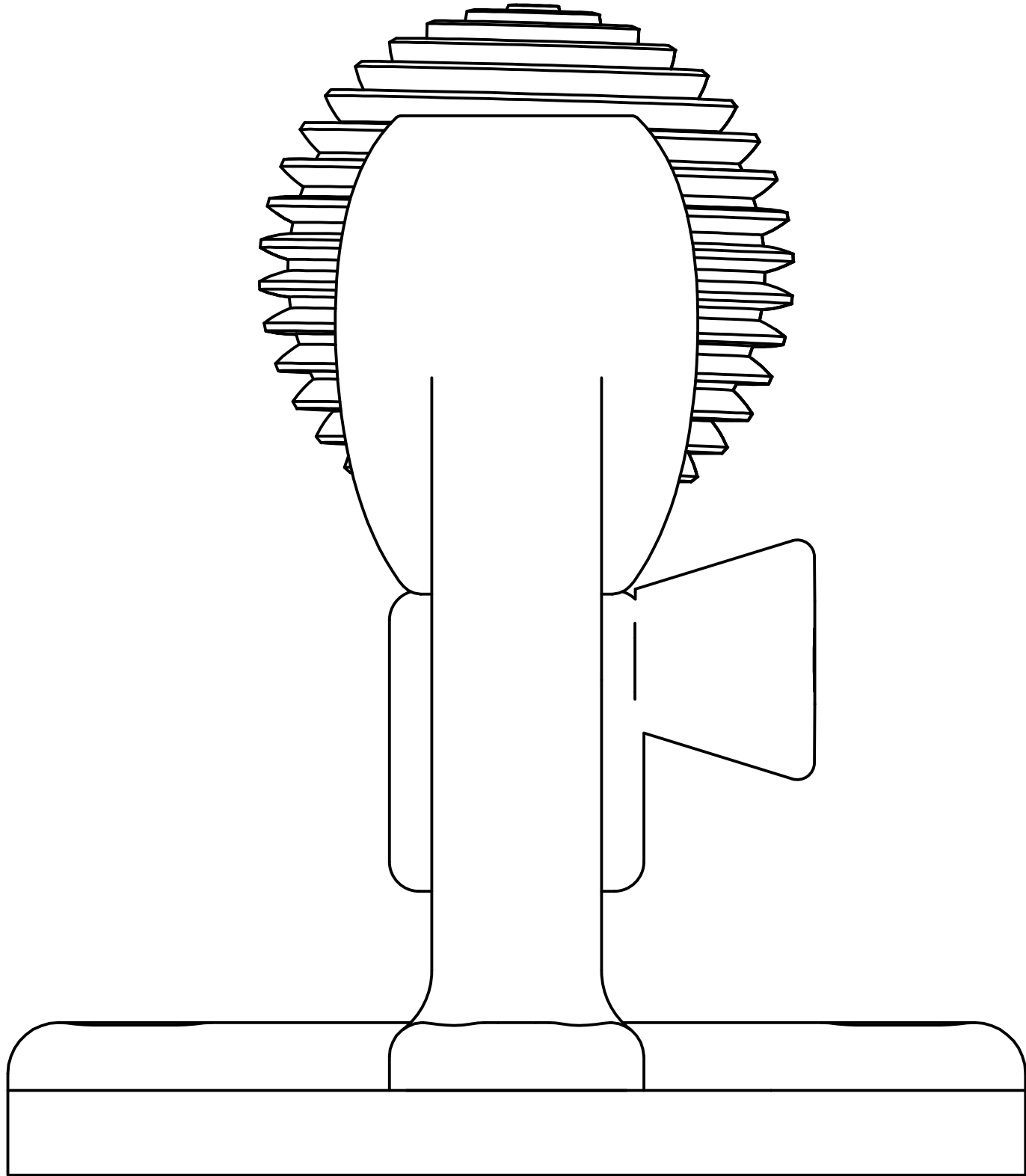
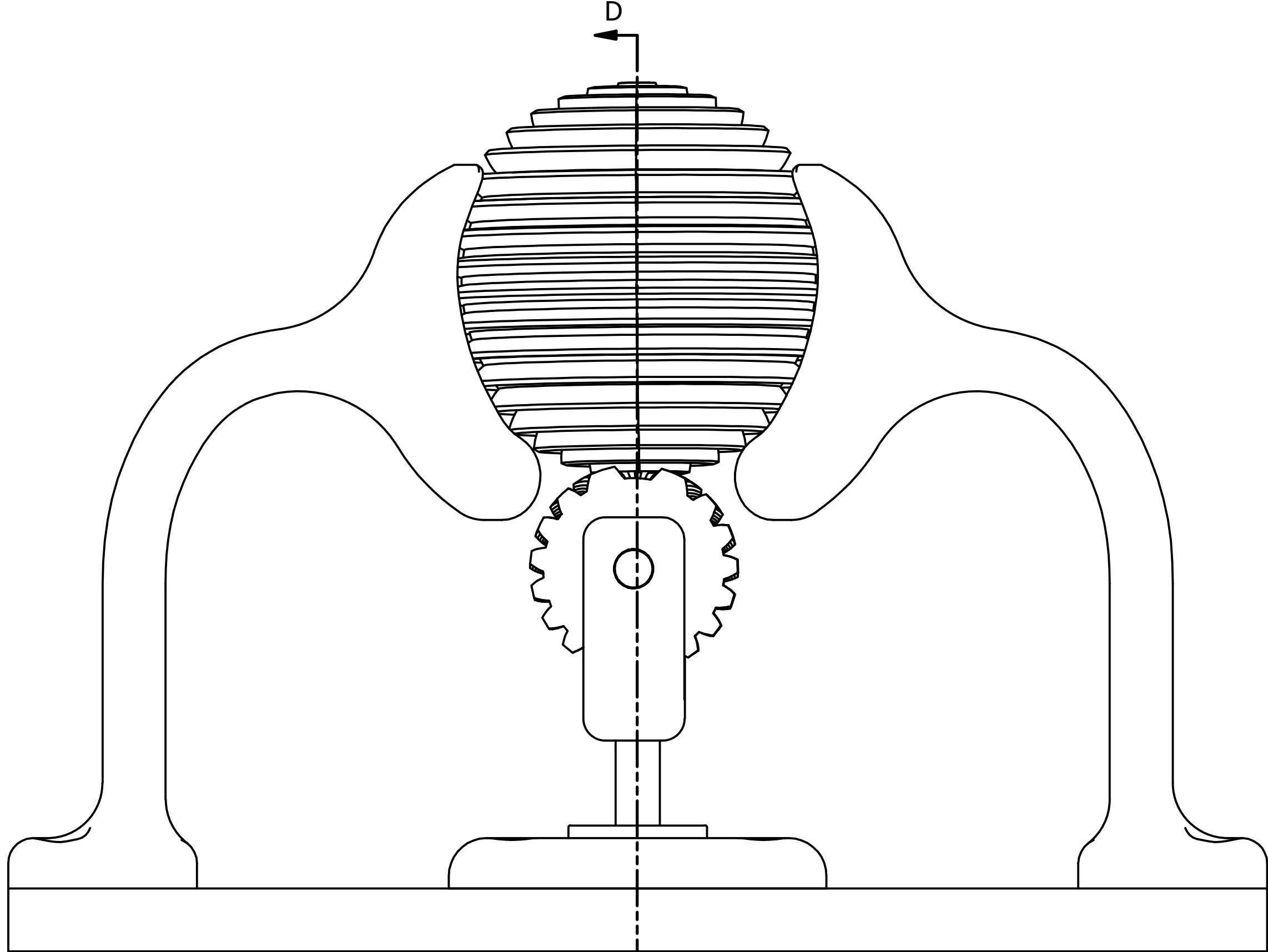
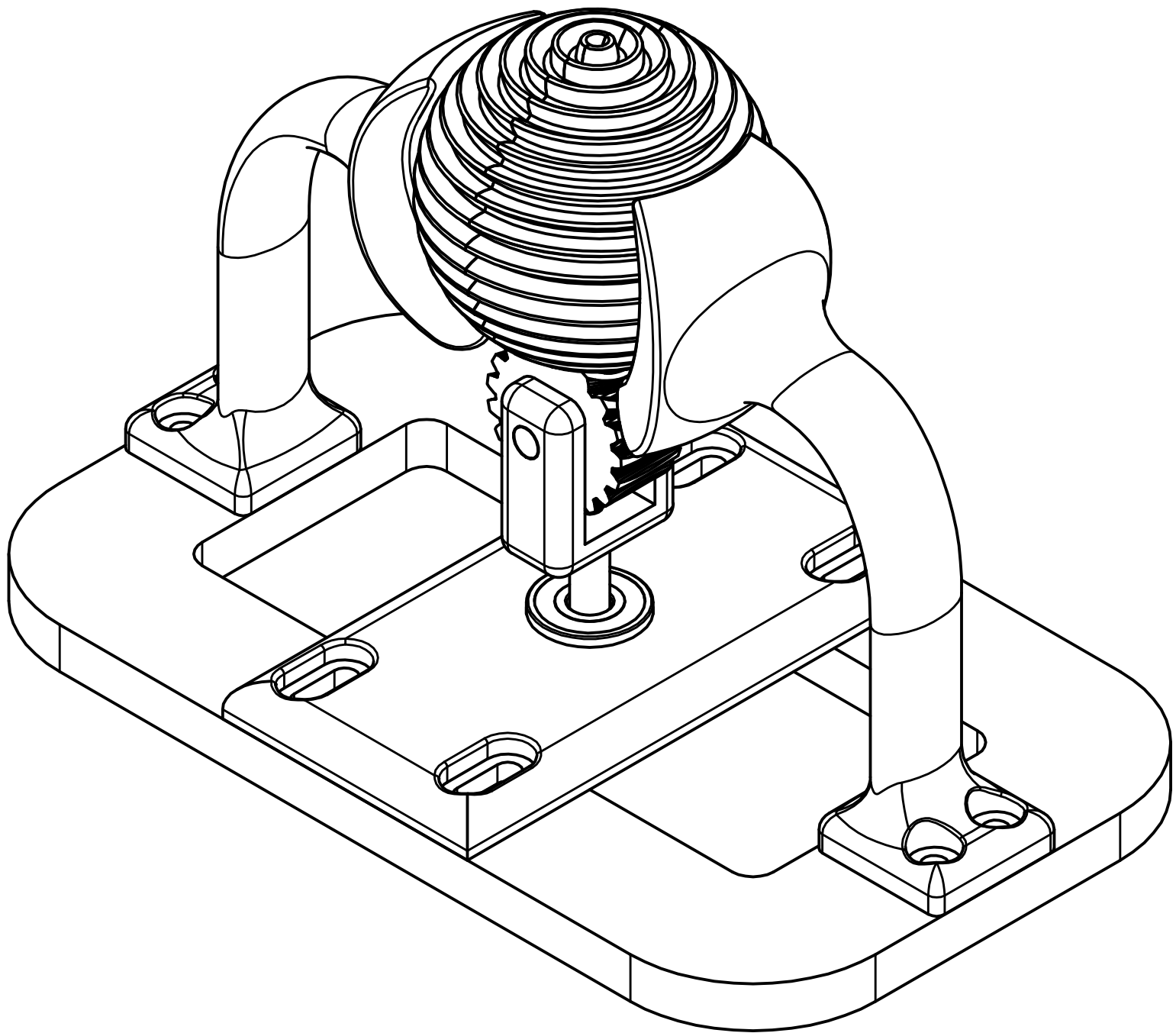
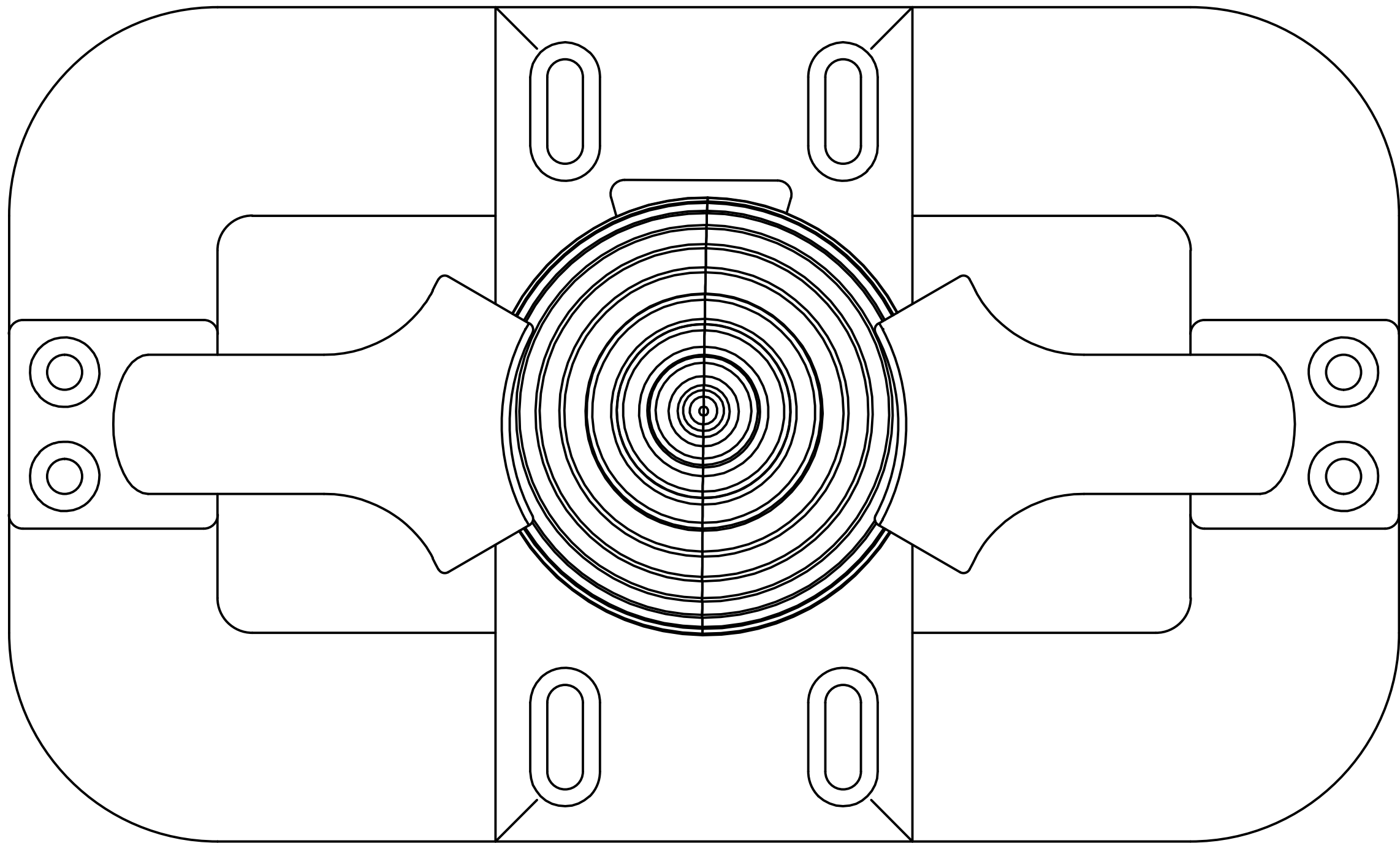


Assembly View



SECTION D-D
SCALE 1.5 : 1

DRAWN Siwat Sirichai	3/18/2023	Siwat INC		
CHECKED		TITLE		
QA		Active Ball Joint Demo		
MFG		SIZE D	DWG NO Base	REV
APPROVED		SCALE 1.5 : 1	SHEET 7 OF 7	